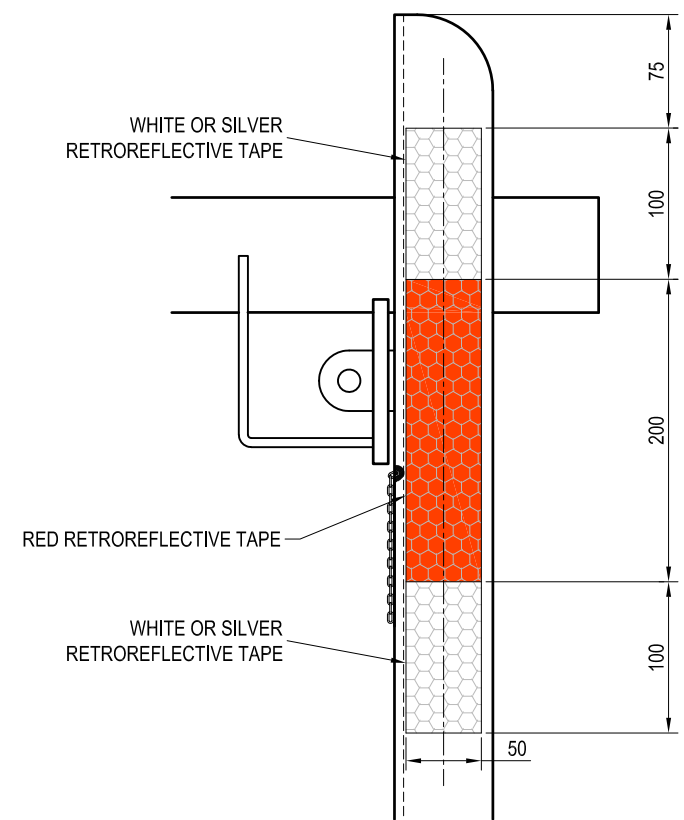


**ELEVATION**  
SCALE: 1:20

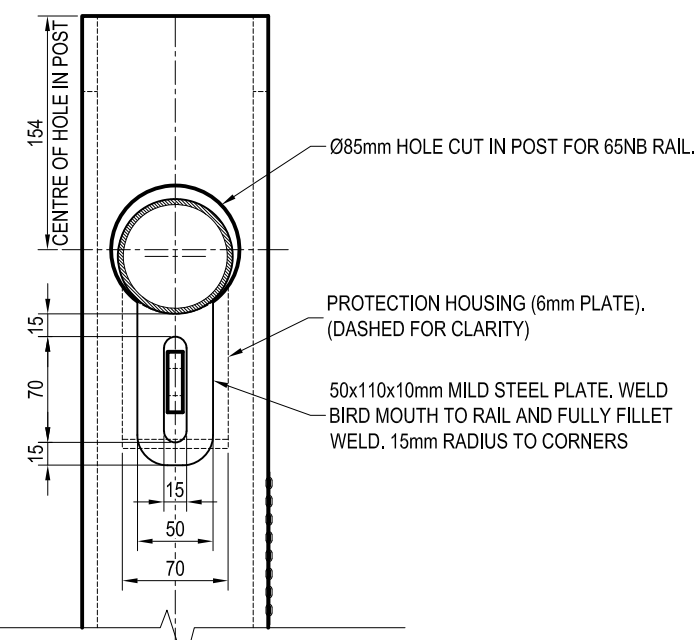
**SECTIONAL ELEVATION A-A**  
SCALE: 1:20



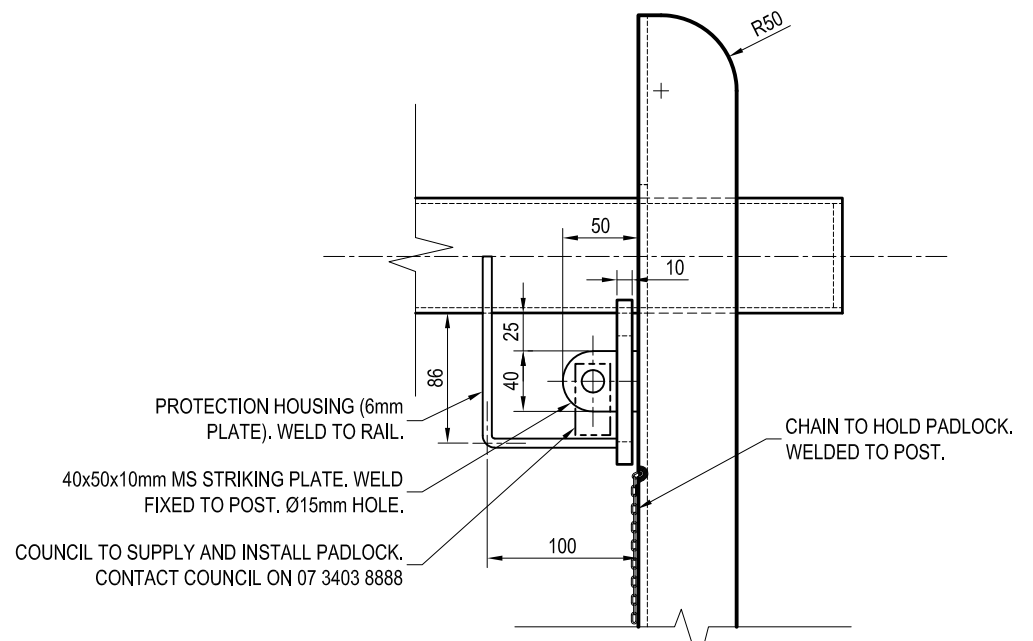
**PLAN VIEW**  
SCALE: 1:20



**REFLECTIVE TAPE DETAIL**  
SCALE: 1:5  
APPLY TO BOTH SIDE OF POST




**LOCK DETAIL - END ELEVATION**  
SCALE: 1:5



**LOCK DETAIL - SIDE ELEVATION**  
SCALE: 1:5

REFER TO BSD-7051 FOR ASSOCIATED SPECIFICATIONS.

	BRISBANE CITY COUNCIL STANDARD DRAWING		PUBLISH DATE NOV 2019	
	ENTRANCE BARRIER - LOCKRAIL WITH STEEL POSTS		SCALE AS SHOWN	
			DRAWING NUMBER BSD-7054	
			ORIGINAL SIZE A3	REVISION B