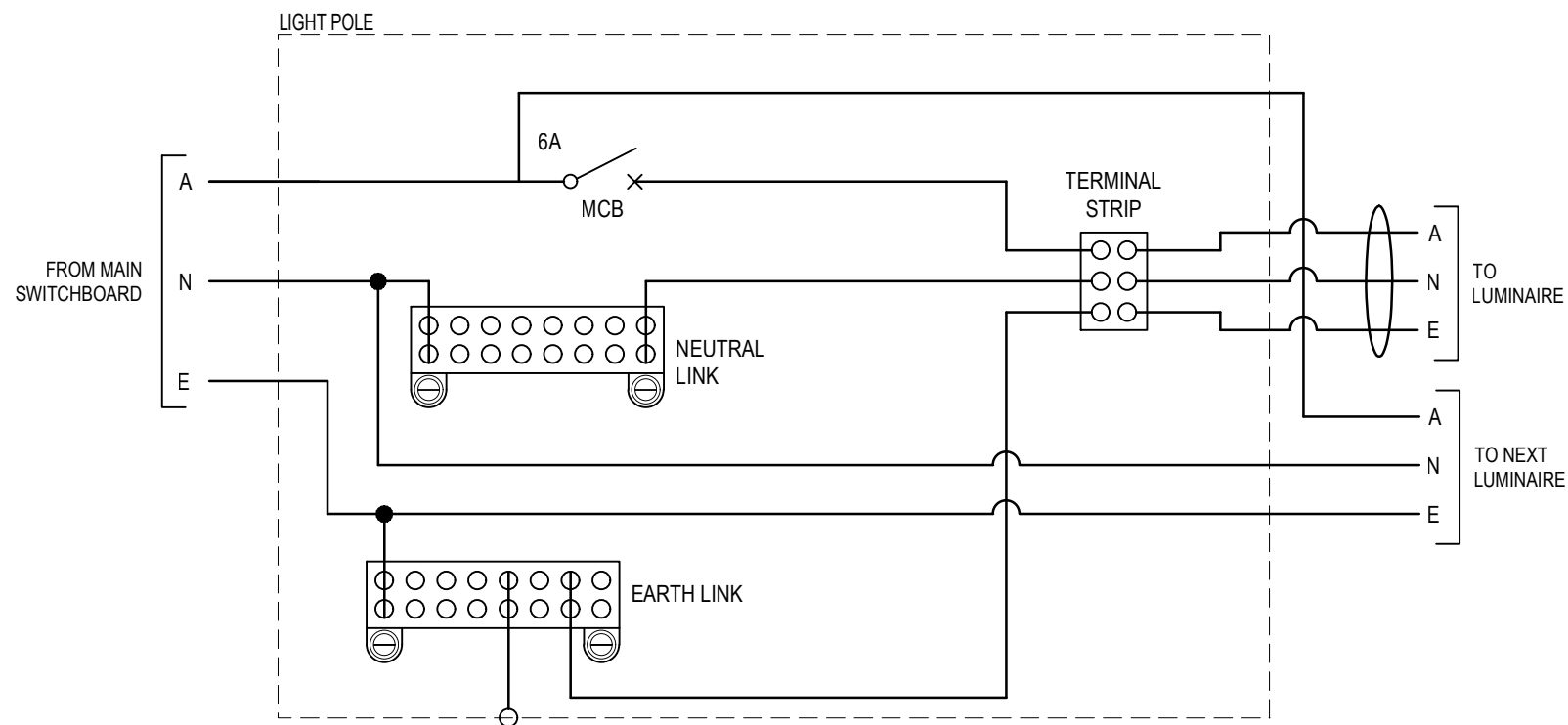


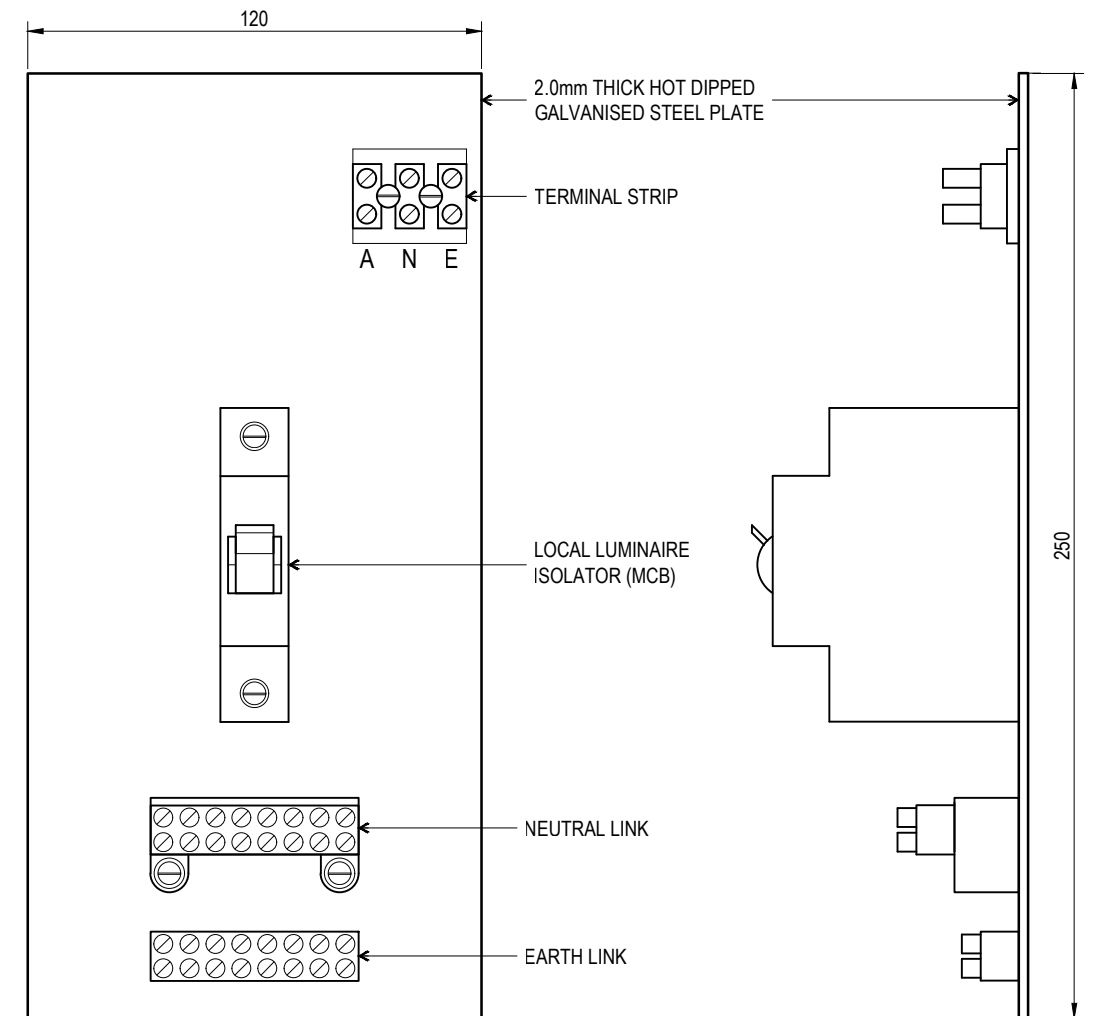
## EQUIPMENT LIST

ITEM	DESCRIPTION
MINIATURE CIRCUIT BREAKER (MCB)	6 AMP - DIN RAIL MOUNTED - 10kA - CLIPSAL OR EQUAL APPROVED
NEUTRAL LINK	INSULATED BASE TYPE - 16mm <sup>2</sup> TERMINALS - 1 MEN + 6 - 2 SCREW TYPE - 100 AMP RATING
EARTH LINK	16mm <sup>2</sup> TERMINALS - 1 MEN + 6 - 2 SCREW TYPE - 100 AMP RATING
TERMINAL STRIP	15 AMP - INSULATED TYPE - 2 SCREW TYPE - CLIPSAL OR EQUAL APPROVED



### WIRING SCHEMATIC

NOT TO SCALE



### CONTROL PANEL ARRANGEMENT

SCALE 1:25 (APPROX.)

#### NOTES:

1. ELECTRICAL INSTALLATION SHALL COMPLY WITH AS/NZS3000.
2. THE ELECTRICAL CONDUIT INSTALLED PARALLEL TO THE PROPERTY BOUNDARY IS TO BE POSITIONED WITHIN THE 0 - 900mm UNDERGROUND ELECTRICITY ALIGNMENT WITH A MINIMUM CLEARANCE OF 100mm FROM OTHER ELECTRICAL CONDUITS, AND LOCATED ON THE ROADWAY SIDE OF THE 0 - 900mm UNDERGROUND ELECTRICITY ALIGNMENT. REFER TO BRISBANE CITY COUNCIL STANDARD DRAWINGS BSD-1013 TO BSD-1016 FOR FURTHER DETAILS.
3. MAIN SWITCHBOARDS AND CONTROL PANELS CAN BE PURCHASED FROM BRISBANE CITY COUNCIL. CONTACT CITY LIGHTING ON TELEPHONE No. 07 3027 8888 TO ARRANGE.
4. EXTERNAL BASE OF LIGHT POLE IS TO BE SEALED WITH MORTAR OR SIMILAR SUITABLE MATERIAL TO PREVENT INGRESS OF VERMIN.
5. ALL DIMENSIONS IN MILLIMETRES (U.N.O.).

THE PURPOSE OF THIS STANDARD DRAWING IS TO PROVIDE TYPICAL DETAILS THAT SUPPORT THE DESIRED OUTCOMES OF THE BRISBANE CITY PLAN 2014 AND ASSOCIATED PLANNING SCHEME POLICIES. THE FITNESS FOR PURPOSE OF THIS STANDARD DRAWING FOR A SPECIFIC PROJECT SHOULD BE ASSESSED AND ACCEPTED BY AN APPROPRIATELY QUALIFIED DESIGNER AND/OR REGISTERED PROFESSIONAL ENGINEER OF QUEENSLAND (RPEQ).



BRISBANE CITY COUNCIL STANDARD DRAWING

**PEDESTRIAN LIGHTING  
CONTROL PANEL  
ARRANGEMENT AND SCHEMATIC**

PUBLISH DATE		Dec 2023
SCALE		AS SHOWN
DRAWING NUMBER		BSD-11002
ORIGINAL SIZE	REVISION	
A3	C	