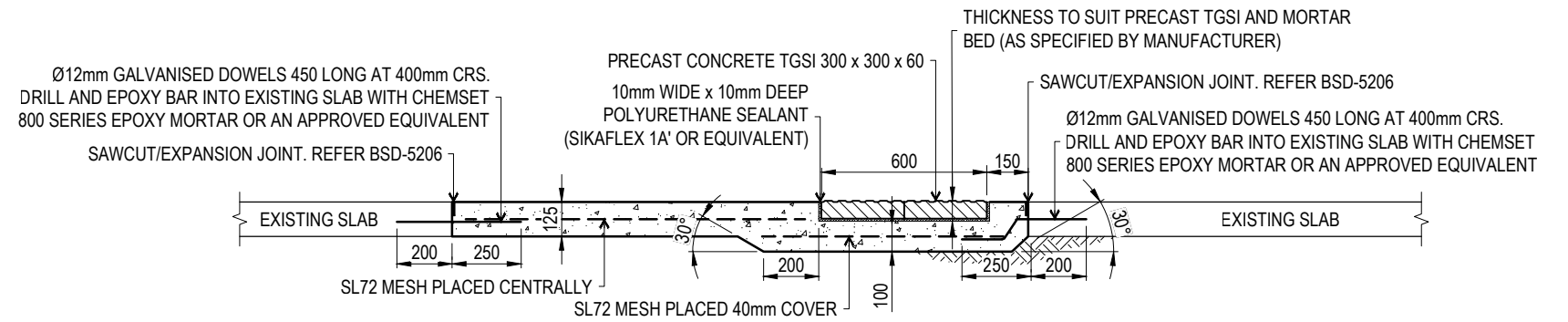


## TACTILE GROUND SURFACE INDICATOR COLOURS FOR HARDSTAND

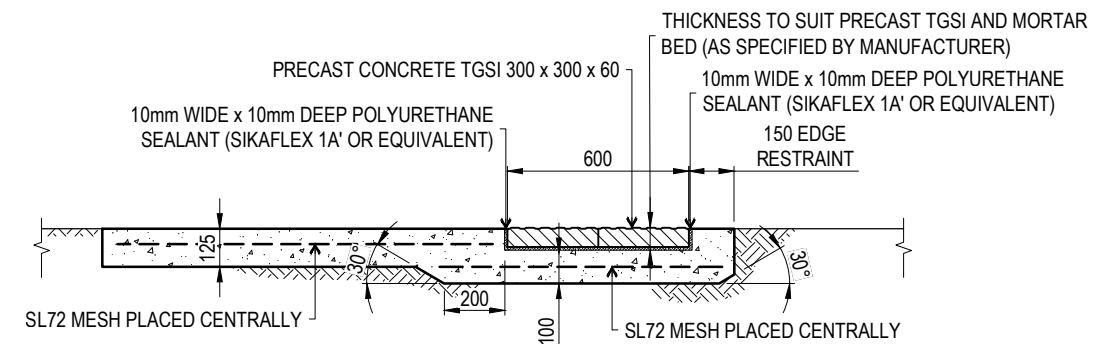
BACKGROUND PAVEMENT FINISH (OR APPROVED EQUIVALENT)	PERMANENT INSTALLATIONS	TEMPORARY AND RETROFIT INSTALLATIONS
	CCS COLOUR REFER NOTES 1, 2, 3 AND 5	COLOUR REFER NOTES 1, 6, 7 AND 8
BROOM FINISH (GENERAL PURPOSE CONCRETE)	CCS VOODOO	BLACK
CBD HONED CONCRETE (HANSON RACONA)	CCS VOODOO	BLACK
EXPOSED AGGREGATE WITHIN 5km RADIUS OF CBD (HANSON VICTORIA FALLS)	CCS VOODOO	BLACK
EXPOSED AGGREGATE OUTSIDE OF 5km RADIUS OF CBD (HANSON BLUE GOLD)	CCS VOODOO	BLACK
HANSON CHEQUERBOARD	CCS VOODOO	BLACK
HANSON HONEY RED	CCS VOODOO	BLACK
HANSON MARTIAN RED	CCS VOODOO	BLACK
HANSON BLUE HEELER	CCS VOODOO	BLACK
HANSON DARK JADE	CCS VOODOO	BLACK
HANSON TIGER STONE	CCS VOODOO	BLACK
HANSON MOONSTONE	CCS VOODOO	BLACK
HANSON CHARCOAL	CCS VOODOO	BLACK
ASPHALT	CCS PEWTER	IVORY

### NOTES:

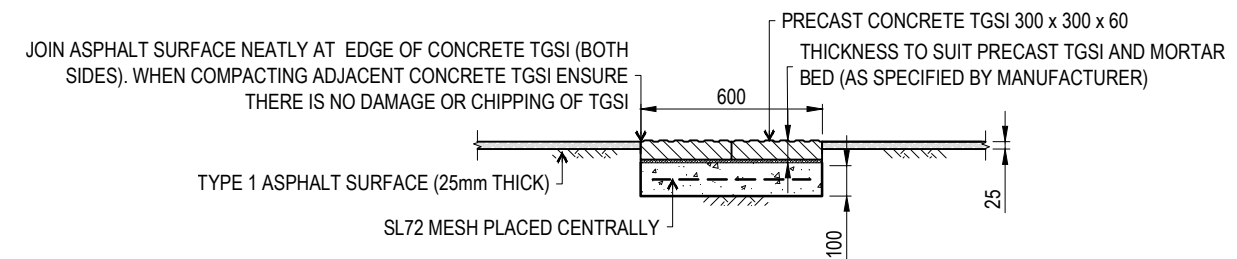
- TGSI TYPES BY INSTALLATION TYPE:
  - PERMANENT INSTALLATIONS: CONCRETE PAVER TGSI;
  - RETROFIT INSTALLATIONS: RIGID POLYMER COMPOSITE OR PRESSED SINGLE SHEET METAL TGSI;
  - TEMPORARY INSTALLATIONS: RIGID POLYMER COMPOSITE, PRESSED SINGLE SHEET METAL OR POLYURETHANE TGSI.
- CONCRETE TGSI REQUIREMENTS AS PER CLAUSE 7.6 OF THE REFERENCE SPECIFICATIONS FOR ENGINEERING WORK S205 CENTRES HONED CONCRETE PATHS.
- A PENETRATING CONCRETE SEALER SHALL BE APPLIED TO ALL CONCRETE TGSI - EITHER:
  - 'PRO GLO PROFESSIONAL SEAL';
  - 'CONCRETE COLOUR SYSTEM (CCS) STREETScape SEALER';
  - 'BASF MATERSEAL 333'; OR
  - APPROVED EQUIVALENT TO THE LISTED PRODUCTS.
- THE TACTILE GROUND SURFACE INDICATORS (TGSI) IDENTIFIED IN THIS TABLE MEET THE LUMINANCE CONTRAST REQUIREMENTS WITH THE BACKGROUND PAVEMENTS/SURFACES REQUIRED BY AS1428.4.1. THE TGSI COLOUR SELECTION WAS THE RESULT OF INDEPENDENT TESTING USING THE METHODOLOGY SETOUT IN APPENDIX E OF AS1428.4.1.
- PERMANENT INSTALLATIONS REFER TO NEW AND RECONSTRUCTION INSTALLATION.
- RETROFIT AND TEMPORARY INSTALLATIONS ARE DEFINED AS:
  - EXISTING SURFACES WHERE IT IS IMPRACTICAL TO INSTALL CONCRETE PAVER TGSI;
  - BRICK AND CLAY INTERLOCKING PAVER SURFACES;
  - RETRO-FITTING TO BRIDGE STRUCTURES;
  - PRE-TENSIONED AND CANTILEVERED SLABS/STRUCTURES;
  - SERVICE PIT LIDS;
  - TEMPORARY BUS STOPS;
  - TEMPORARY HOARDING AND GANTRY WARNING/DIRECTION SITUATIONS.
- TEMPORARY SITUATIONS ARE TO BE FOR INSTALLATIONS NO LONGER THAN 12 MONTHS IN DURATION.
- RIGID POLYMER COMPOSITE, PRESSED SINGLE SHEET METAL AND POLYURETHANE TGSI TO BE INSTALLED TO MANUFACTURERS/SUPPLIERS REQUIREMENTS.
- YELLOW TGSI ARE NOT TO BE USED UNLESS DIRECTED.
- DIMENSIONS IN MILLIMETRES (U.N.O.)



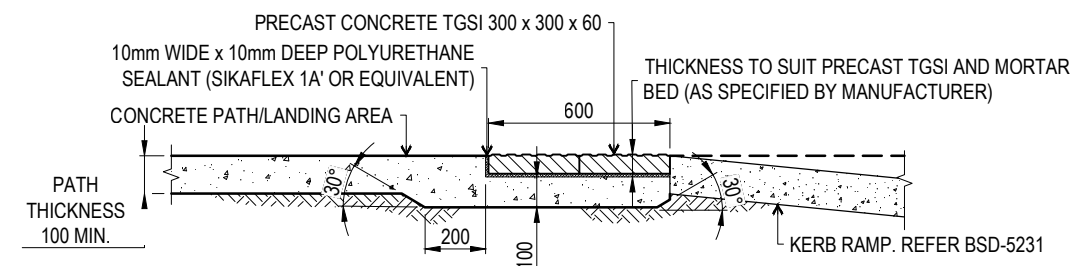
### JOIN TO EXISTING CONCRETE PATH



### NEW CONSTRUCTION



### ASPHALT SURFACE



### KERB RAMP INSTALLATION

THE PURPOSE OF THIS STANDARD DRAWING IS TO PROVIDE TYPICAL DETAILS THAT SUPPORT THE DESIRED OUTCOMES OF THE BRISBANE CITY PLAN 2014 AND ASSOCIATED PLANNING SCHEME POLICIES. THE FITNESS FOR PURPOSE OF THIS STANDARD DRAWING FOR A SPECIFIC PROJECT SHOULD BE ASSESSED AND ACCEPTED BY AN APPROPRIATELY QUALIFIED DESIGNER AND/OR REGISTERED PROFESSIONAL ENGINEER OF QUEENSLAND (RPEQ).



BRISBANE CITY COUNCIL STANDARD DRAWING

TACTILE GROUND SURFACE  
INDICATOR DETAIL

PUBLISH DATE		DEC 2023
SCALE		NOT TO SCALE
DRAWING NUMBER		BSD-5218
ORIGINAL SIZE	REVISION	
A3	C	