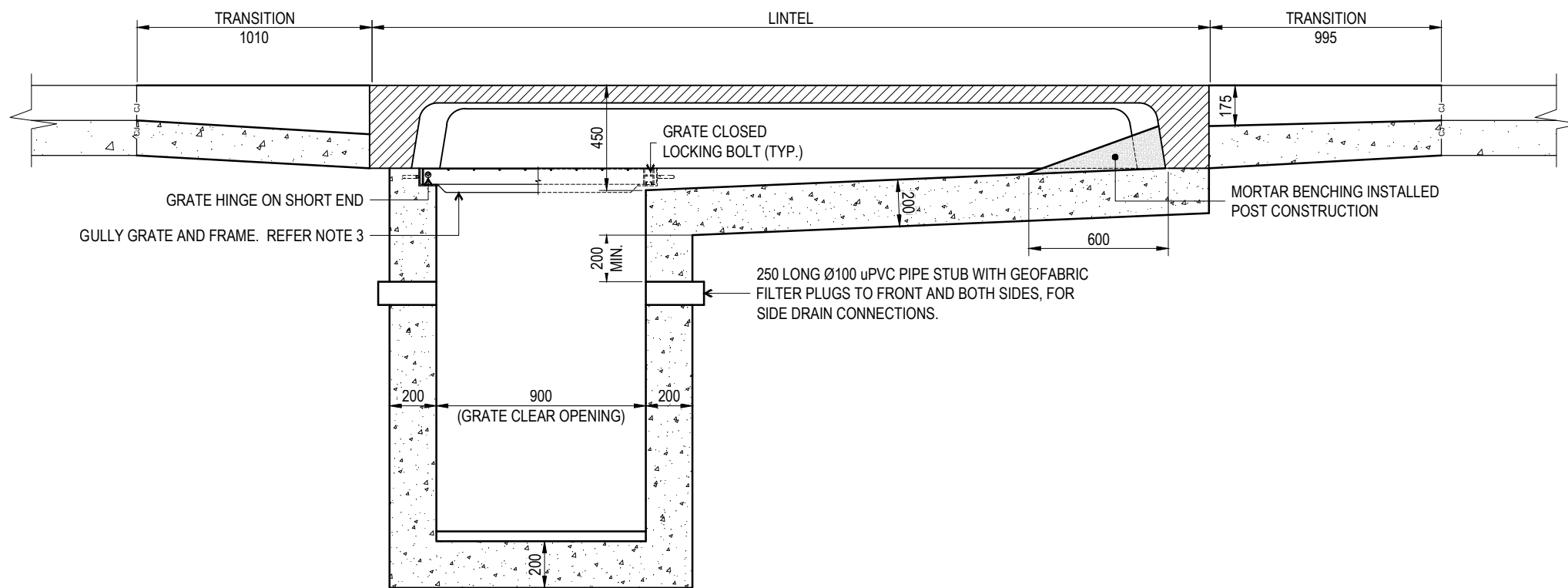


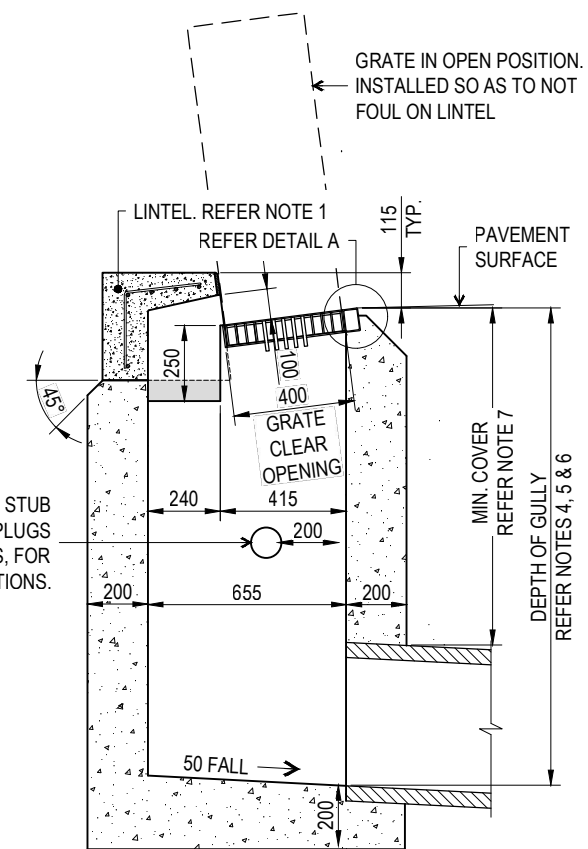
TYPICAL INLET ON GRADE - PLAN

NOTE: FOR SAG GULLY, APRON TO EXTEND TO END OF LINTEL AND GULLY TO BE LOCATED IN CENTRE OF LINTEL.

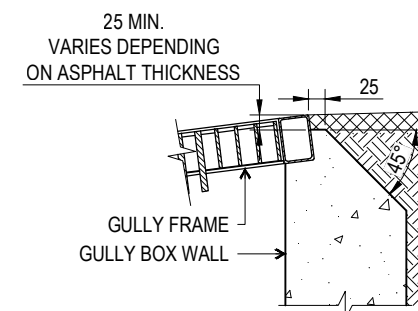


SECTION A-A

NOTE: FOR SAG GULLY, APRON TO EXTEND TO END OF LINTEL AND GULLY TO BE LOCATED IN CENTRE OF LINTEL.



SECTION B-B



DETAIL A

NOTES:

1. REFER BSD-8055 FOR LINTEL DETAILS.
2. CAST INSITU CONCRETE N32 TO AS1379 AND AS3600.
3. GRATE AND FRAME:
 - PROPRIETARY 900 x 400 CLEAR OPENING SLIMLINE GULLY GRATE AND FRAME TO BE USED.
 - GRATE TO HINGE ON SHORT EDGE WITH BOLT TO SECURE IN CLOSED POSITION AT OPPOSITE END.
 - GRATE TO SELF-SUPPORT/LOCK IN OPEN POSITION - POSITIVE MECHANISM REQUIRED.
4. LIMIT DEPTH OF STANDARD GULLY TO 1.8m.
5. STANDARD GULLIES BETWEEN 1.8 AND 3.0m ARE PERMITTED ONLY WITH THE PRIOR APPROVAL OF COUNCIL,
6. GULLIES DEEPER THAN 3.0m TO BE INDIVIDUALLY DESIGNED UNDER THE DIRECTION OF A SUITABLY QUALIFIED REGISTERED PROFESSIONAL ENGINEER OF QUEENSLAND (RPEQ).
7. INSTALL STEP IRONS TO GULLIES GREATER THAN 1.2m DEEP IN ACCORDANCE WITH AS1657.
8. REFER TO BSD-2042 (ROADWAYS) AND BSD-2043 (PATHS AND VERGES) FOR MINIMUM COVER REQUIREMENTS. MIN. 450mm IN OTHER AREAS.
9. DIMENSIONS IN MILLIMETRES (U.N.O.).

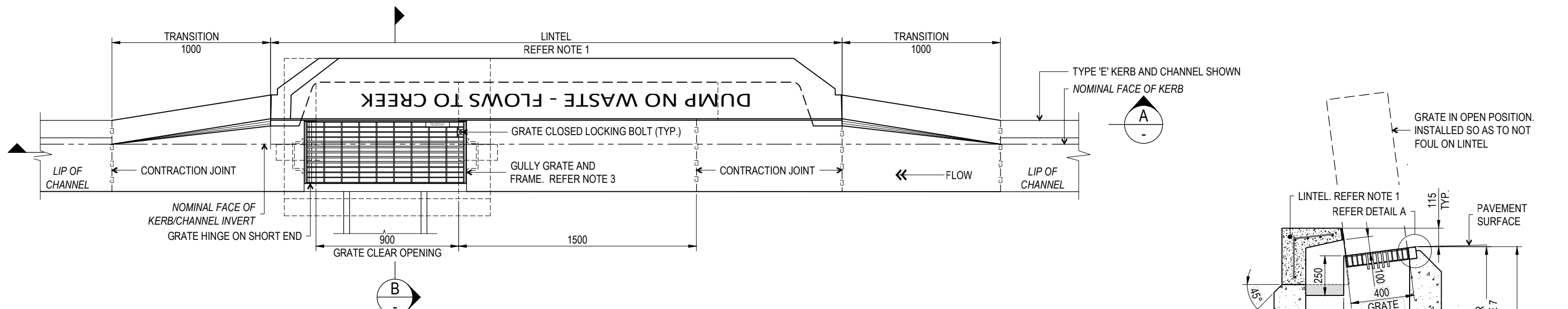
THE PURPOSE OF THIS STANDARD DRAWING IS TO PROVIDE TYPICAL DETAILS THAT SUPPORT THE DESIRED OUTCOMES OF THE BRISBANE CITY PLAN 2014 AND ASSOCIATED PLANNING SCHEME POLICIES. THE FITNESS FOR PURPOSE OF THIS STANDARD DRAWING FOR A SPECIFIC PROJECT SHOULD BE ASSESSED AND ACCEPTED BY AN APPROPRIATELY QUALIFIED DESIGNER AND/OR REGISTERED PROFESSIONAL ENGINEER OF QUEENSLAND (RPEQ).



BRISBANE CITY COUNCIL STANDARD DRAWING

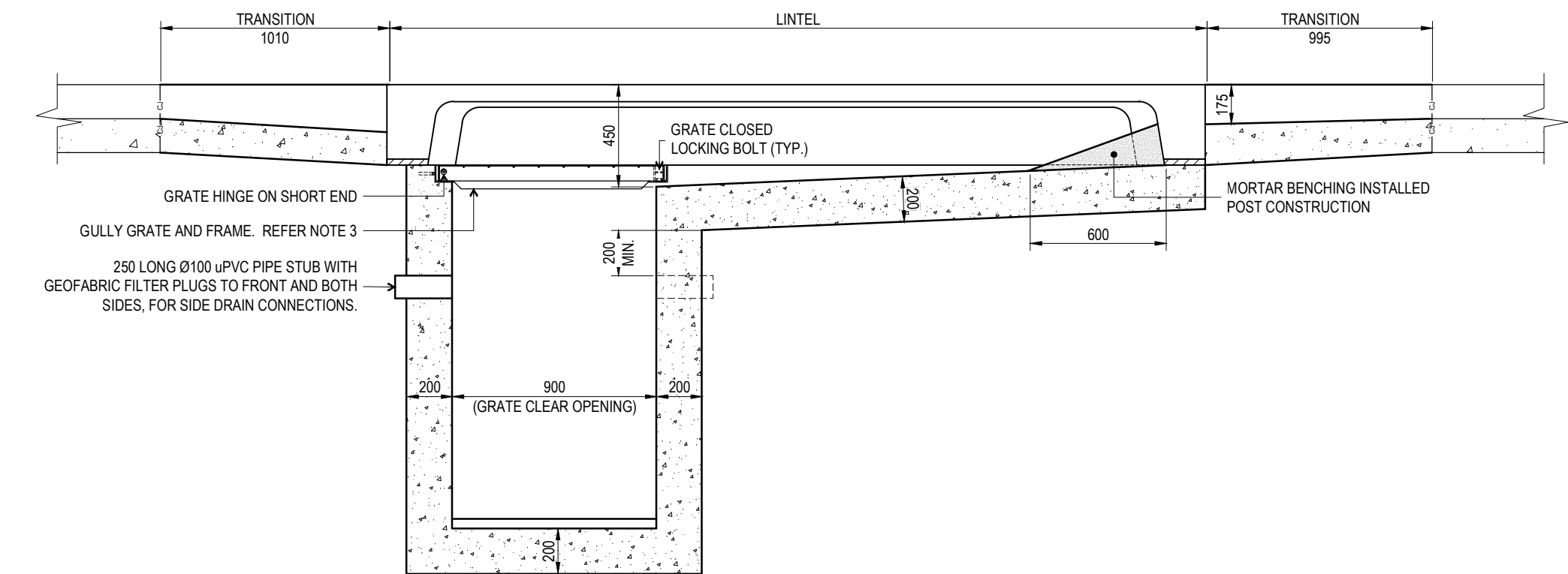
SLIMLINE TYPE GULLY
KERB-IN-LINE
SHEET 1 OF 2

PUBLISH DATE		Dec 2023
SCALE		NOT TO SCALE
DRAWING NUMBER		BSD-8057
ORIGINAL SIZE	REVISION	
A3	B	



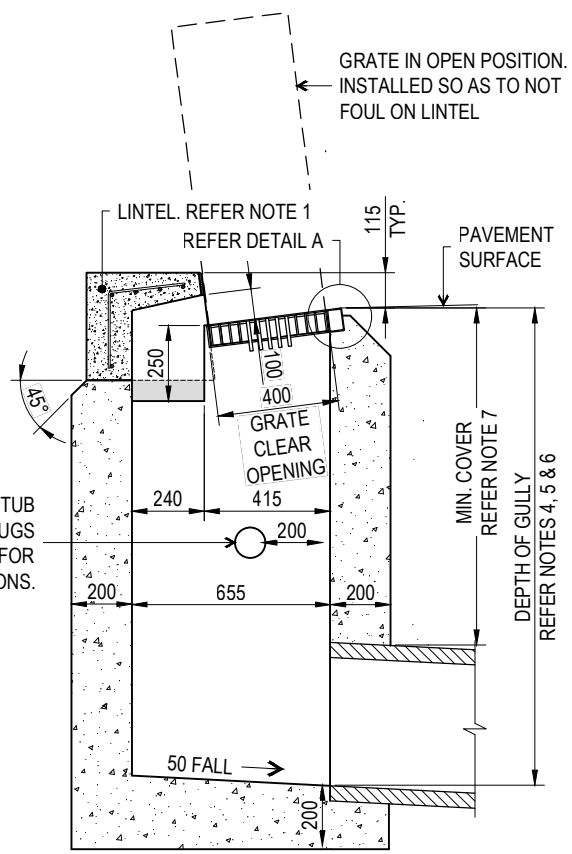
TYPICAL INLET ON GRADE - PLAN

NOTE: FOR SAG GULLY, APRON TO EXTEND TO END OF LINTEL AND GULLY TO BE LOCATED IN CENTRE OF LINTEL.

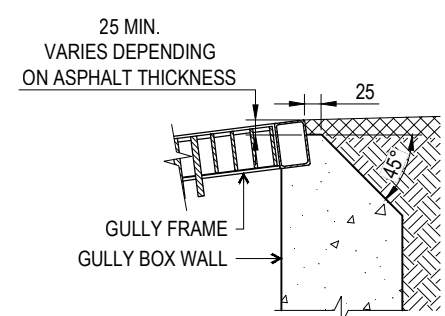


SECTION A-A

NOTE: FOR SAG GULLY, APRON TO EXTEND TO END OF LINTEL AND GULLY TO BE LOCATED IN CENTRE OF LINTEL.



SECTION B-B



DETAIL A

NOTES:

1. REFER BSD-8055 FOR LINTEL DETAILS.
2. CAST INSITU CONCRETE N32 TO AS1379 AND AS3600.
3. GRATE AND FRAME:
 - PROPRIETARY 900 x 400 CLEAR OPENING SLIMLINE GULLY GRATE AND FRAME TO BE USED.
 - GRATE TO HINGE ON SHORT EDGE WITH BOLT TO SECURE IN CLOSED POSITION AT OPPOSITE END.
 - GRATE TO SELF-SUPPORT/LOCK IN OPEN POSITION - POSITIVE MECHANISM REQUIRED.
4. LIMIT DEPTH OF STANDARD GULLY TO 1.8m.
5. STANDARD GULLIES BETWEEN 1.8 AND 3.0m ARE PERMITTED ONLY WITH THE PRIOR APPROVAL OF COUNCIL.
6. GULLIES DEEPER THAN 3.0m TO BE INDIVIDUALLY DESIGNED UNDER THE DIRECTION OF A SUITABLY QUALIFIED REGISTERED PROFESSIONAL ENGINEER OF QUEENSLAND (RPEQ).
7. INSTALL STEP IRONS TO GULLIES GREATER THAN 1.2m DEEP IN ACCORDANCE WITH AS1657.
8. REFER TO BSD-2042 (ROADWAYS) AND BSD-2043 (PATHS AND VERGES) FOR MINIMUM COVER REQUIREMENTS. MIN. 450mm IN OTHER AREAS.
9. DIMENSIONS IN MILLIMETRES (U.N.O.).
- 10.

THE PURPOSE OF THIS STANDARD DRAWING IS TO PROVIDE TYPICAL DETAILS THAT SUPPORT THE DESIRED OUTCOMES OF THE BRISBANE CITY PLAN 2014 AND ASSOCIATED PLANNING SCHEME POLICIES. THE FITNESS FOR PURPOSE OF THIS STANDARD DRAWING FOR A SPECIFIC PROJECT SHOULD BE ASSESSED AND ACCEPTED BY AN APPROPRIATELY QUALIFIED DESIGNER AND/OR REGISTERED PROFESSIONAL ENGINEER OF QUEENSLAND (RPEQ).



BRISBANE CITY COUNCIL STANDARD DRAWING

**SLIMLINE TYPE GULLY
LIP-IN-LINE
SHEET 2 OF 2**

PUBLISH DATE		Dec 2023
SCALE		NOT TO SCALE
DRAWING NUMBER		BSD-8057
ORIGINAL SIZE	REVISION	
A3	B	