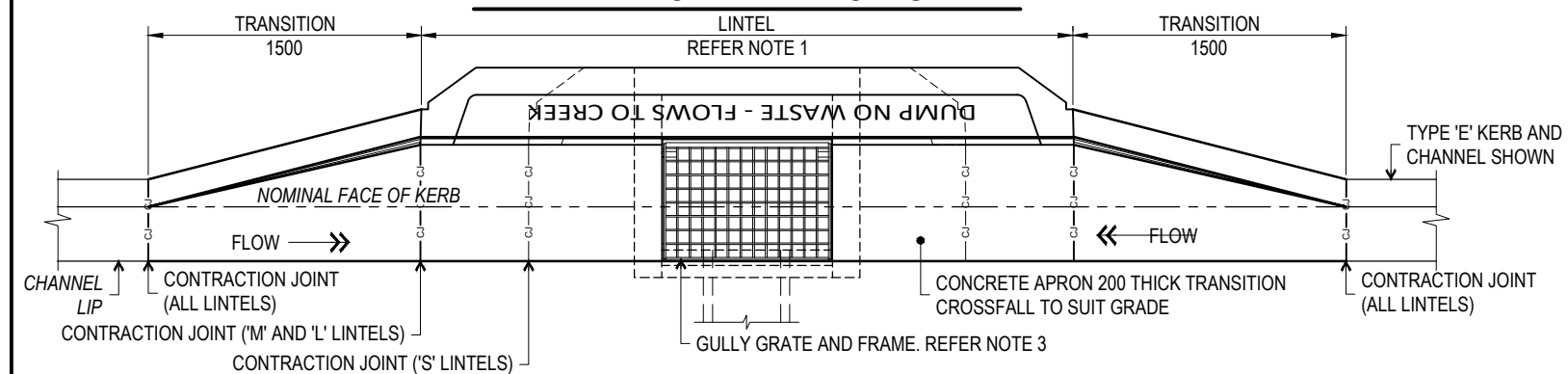
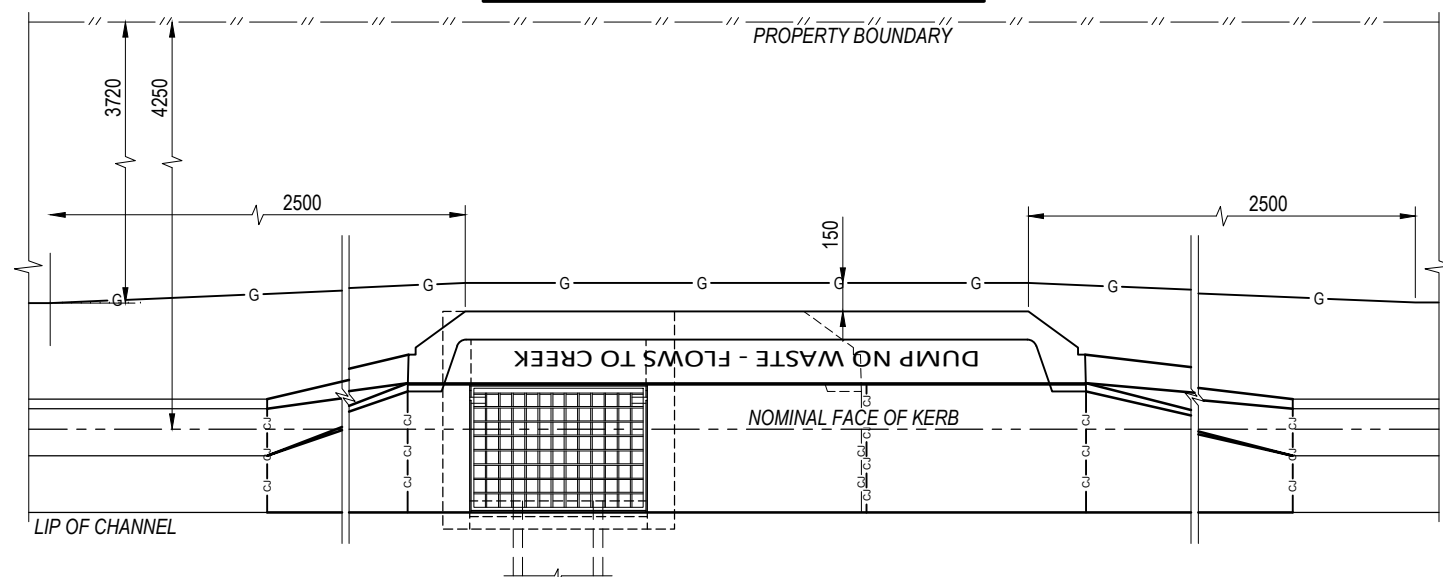


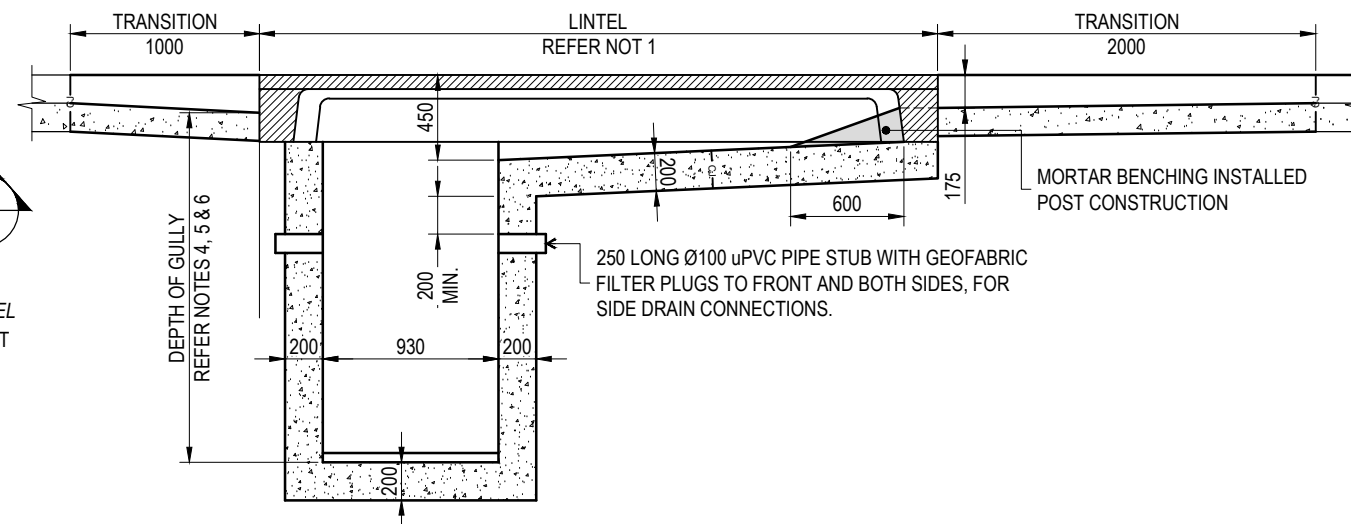
PLAN - TYPICAL INLET ON GRADE



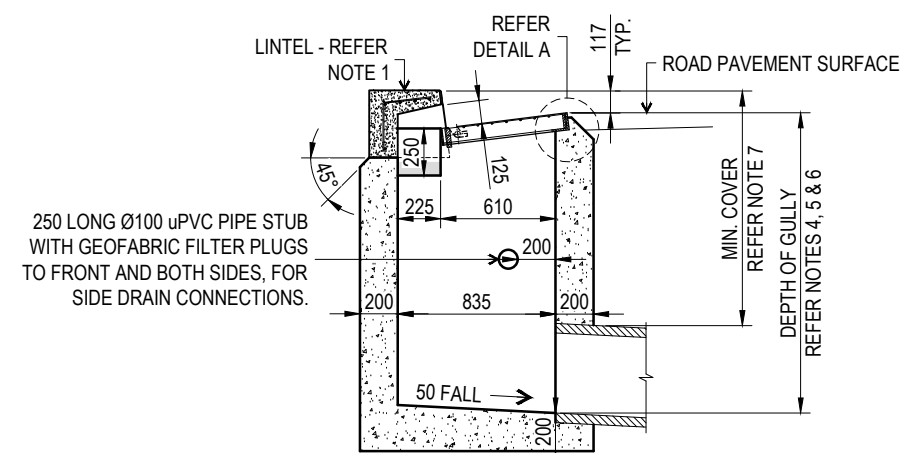
PLAN - TYPICAL INLET IN SAG



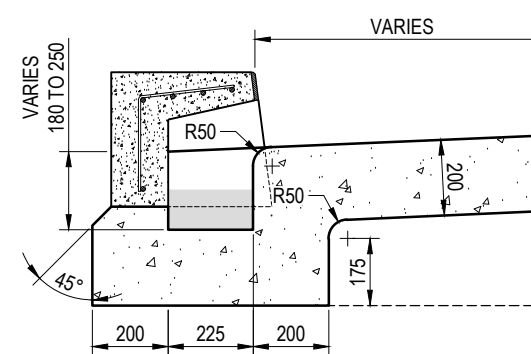
GAS RE-ALIGNMENT DETAILS



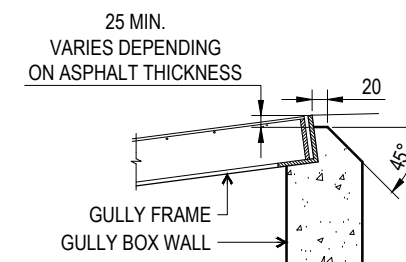
SECTION A - A



SECTION B - B



SECTION C - C



DETAIL A

NOTES:

1. REFER BSD-8055 FOR LINTEL DETAILS.
2. CAST INSITU CONCRETE N32 TO AS1379 AND AS3600.
3. REFER BSD-8053 & BSD-8054 FOR GULLY GRATE AND FRAME DETAILS.
4. LIMIT DEPTH OF STANDARD GULLY TO 1.80m.
5. STANDARD GULLIES BETWEEN 1.8 AND 3.0m ARE PERMITTED ONLY WITH THE PRIOR APPROVAL OF COUNCIL,
6. GULLIES DEEPER THAN 3.0m TO BE INDIVIDUALLY DESIGNED UNDER THE DIRECTION OF A SUITABLY QUALIFIED REGISTERED PROFESSIONAL ENGINEER OF QUEENSLAND (RPEQ).
7. INSTALL STEP IRONS TO GULLIES GREATER THAN 1.20m DEEP IN ACCORDANCE WITH AS1657.
8. REFER TO BSD-2042 (ROADWAYS) AND BSD-2043 (PATHS AND VERGES) FOR MINIMUM COVER REQUIREMENTS. MIN. 450mm IN OTHER AREAS.
9. DIMENSIONS IN MILLIMETRES (U.N.O.).

THE PURPOSE OF THIS STANDARD DRAWING IS TO PROVIDE TYPICAL DETAILS THAT SUPPORT THE DESIRED OUTCOMES OF THE BRISBANE CITY PLAN 2014 AND ASSOCIATED PLANNING SCHEME POLICIES. THE FITNESS FOR PURPOSE OF THIS STANDARD DRAWING FOR A SPECIFIC PROJECT SHOULD BE ASSESSED AND ACCEPTED BY AN APPROPRIATELY QUALIFIED DESIGNER AND/OR REGISTERED PROFESSIONAL ENGINEER OF QUEENSLAND (RPEQ).



BRISBANE CITY COUNCIL STANDARD DRAWING

**TYPE 'A'
GULLY
LIP IN LINE**

PUBLISH DATE		SEP 2024
SCALE		NOT TO SCALE
DRAWING NUMBER		BSD-8051
ORIGINAL SIZE	REVISION	
A3	E	