

**TOP VIEW**

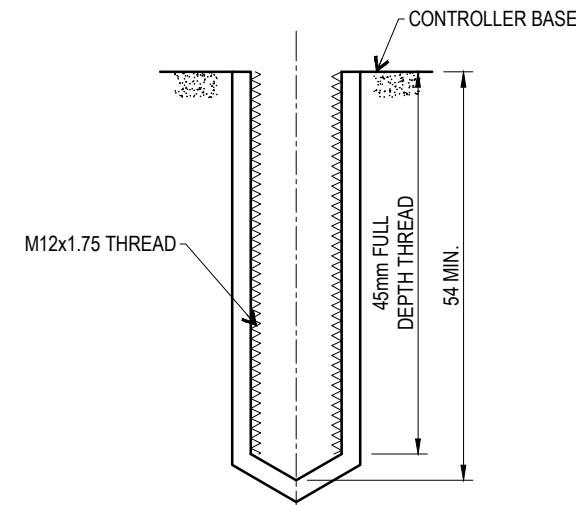
150mm THICK CONCRETE SLAB REINFORCED WITH 1 LAYER OF SL62 MESH PLACED CENTRALLY. TYPICAL ARRANGEMENT ONLY, CAN BE ADJUSTED TO SUIT SITE

4 OFF M12x1.75 THREADED INSERTS (STAINLESS STEEL 316 GRADE) MIN. 54mm DEEP. REFER TO DETAIL

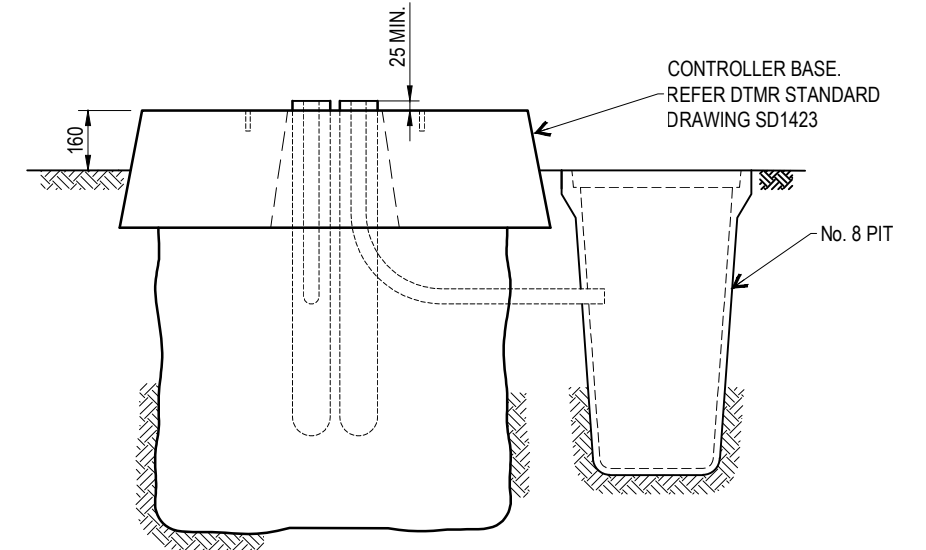
1.3T LIFTING ANCHOR (2 OFF) 700 APART

TYPE 8 PIT

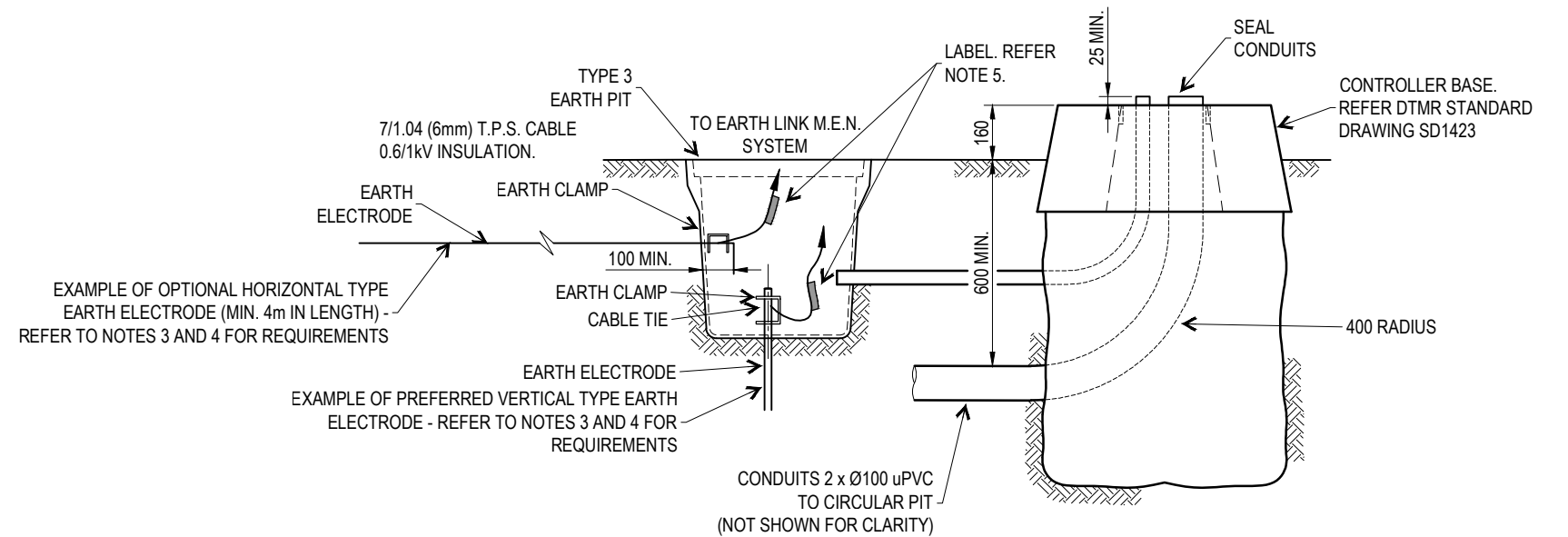
17mm GALVANISED UTILITY ANCHOR FOR GENERATOR (ONE EACH END)



**THREAD DETAIL**



**CONTROLLER FOOTING FRONT VIEW**



**CONTROLLER FOOTING LEFT SIDE VIEW**

**NOTES:**

1. CONCRETE TO BE GRADE N32 MIN.
2. ALL CORNERS R20 EXCEPT BASE.
3. EARTH ELECTRODE - REFER AS/NZS3000, CLAUSE 5.3.6. PREFERRED OPTION IS 12mm VERTICAL STAINLESS EARTH STAKE, 1.8m IN LENGTH. FOR INSTALLATION REFER TO AS/NZS3000, TABLE 5.2 AND BSD-4015 TYPE LV3 AND TYPE LV4, AND HEAVY DUTY EARTH CLAMP.
4. TESTING TO ENSURE COMPLIANCE WITH AS/NZS3000, CLAUSE 8.3 IS MANDATORY.
5. FOR LEGIBLE WARNING LABEL REQUIREMENTS, REFER AS/NZS3000, CLAUSE 5.5.1.3.
6. DIMENSIONS IN MILLIMETRES (U.N.O.).
7. FINAL PIT POSITIONING CAN VARY BASED ON SITE CONDITIONS.

THE PURPOSE OF THIS STANDARD DRAWING IS TO PROVIDE TYPICAL DETAILS THAT SUPPORT THE DESIRED OUTCOMES OF THE BRISBANE CITY PLAN 2014 AND ASSOCIATED PLANNING SCHEME POLICIES. THE FITNESS FOR PURPOSE OF THIS STANDARD DRAWING FOR A SPECIFIC PROJECT SHOULD BE ASSESSED AND ACCEPTED BY AN APPROPRIATELY QUALIFIED DESIGNER AND/OR REGISTERED PROFESSIONAL ENGINEER OF QUEENSLAND (RPEQ).



BRISBANE CITY COUNCIL STANDARD DRAWING

CONTROLLER BASE  
INSTALLATION DETAILS

PUBLISH DATE	JUN 2023
SCALE	NOT TO SCALE
DRAWING NUMBER	BSD-4035
ORIGINAL SIZE	A3
REVISION	C