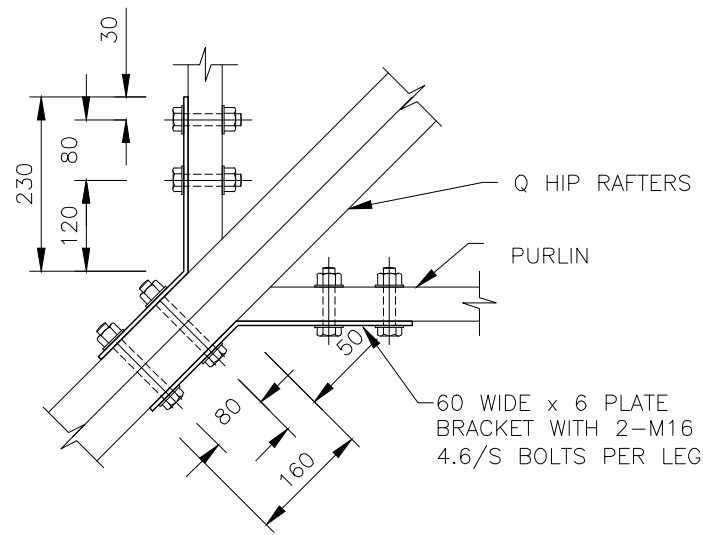
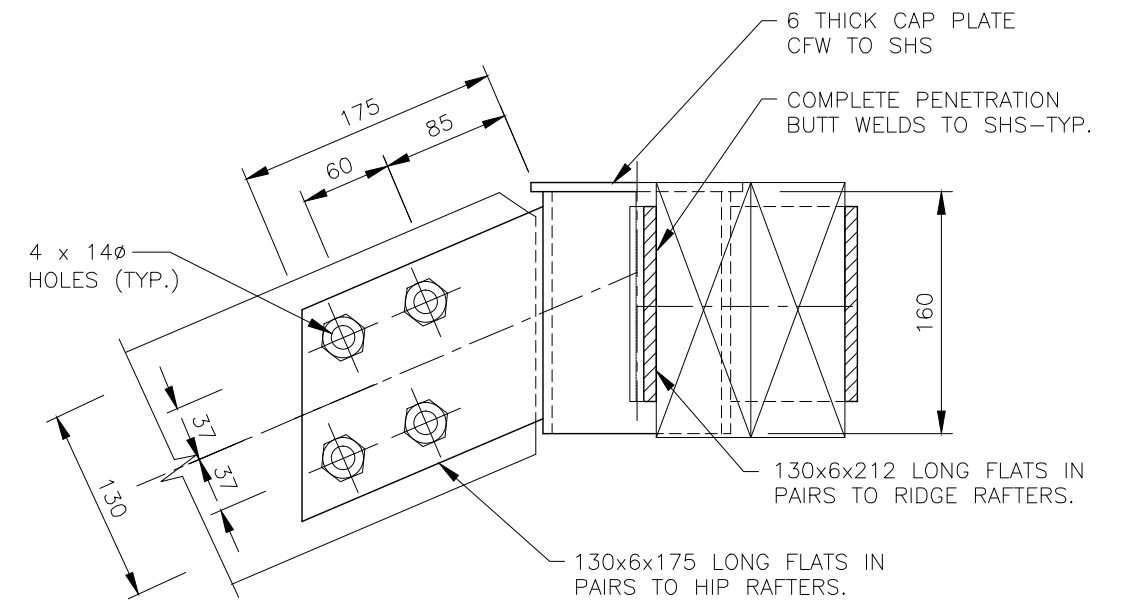


HIP RAFTER-FASCIA CONNECTOR
SCALE 1:10



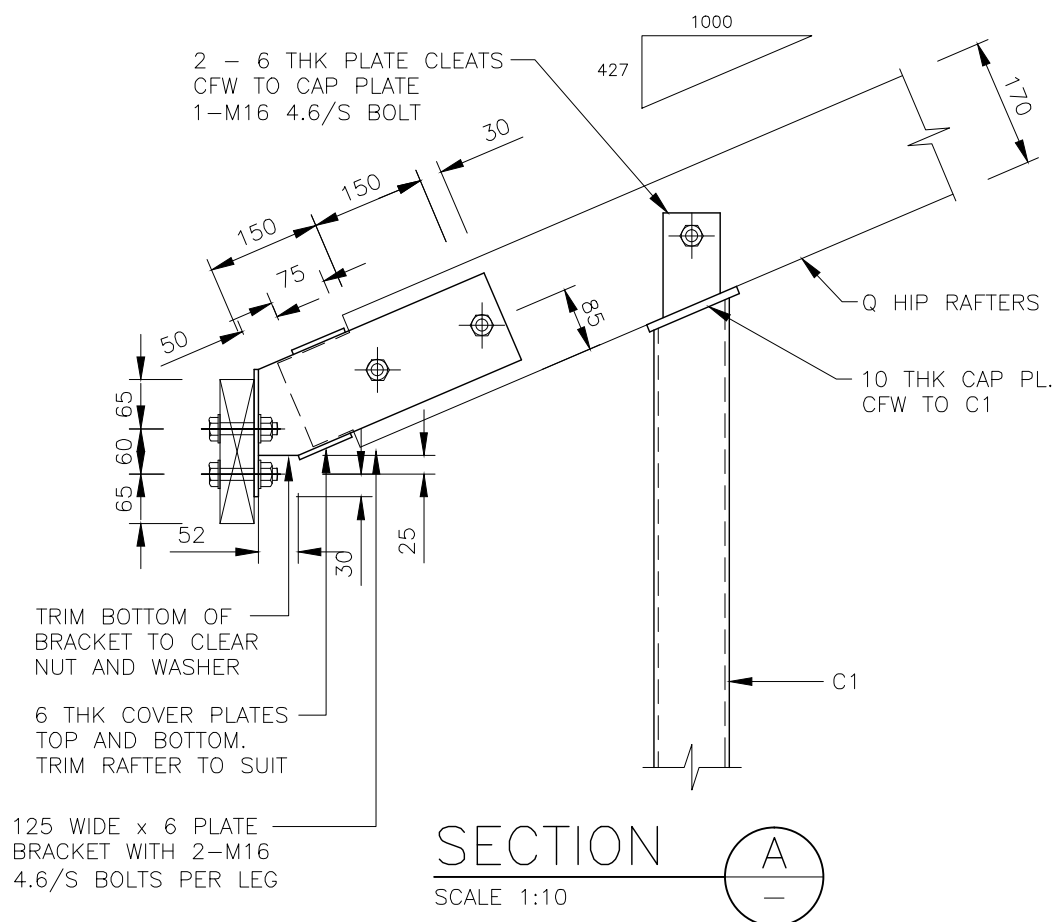
HIP RAFTER-PURLIN CONNECTOR
SCALE 1:10



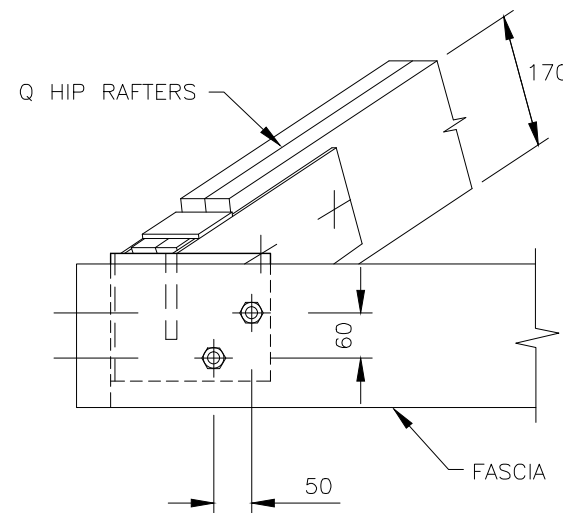
SECTION A
SCALE 1:5
Sh7

NOTES:

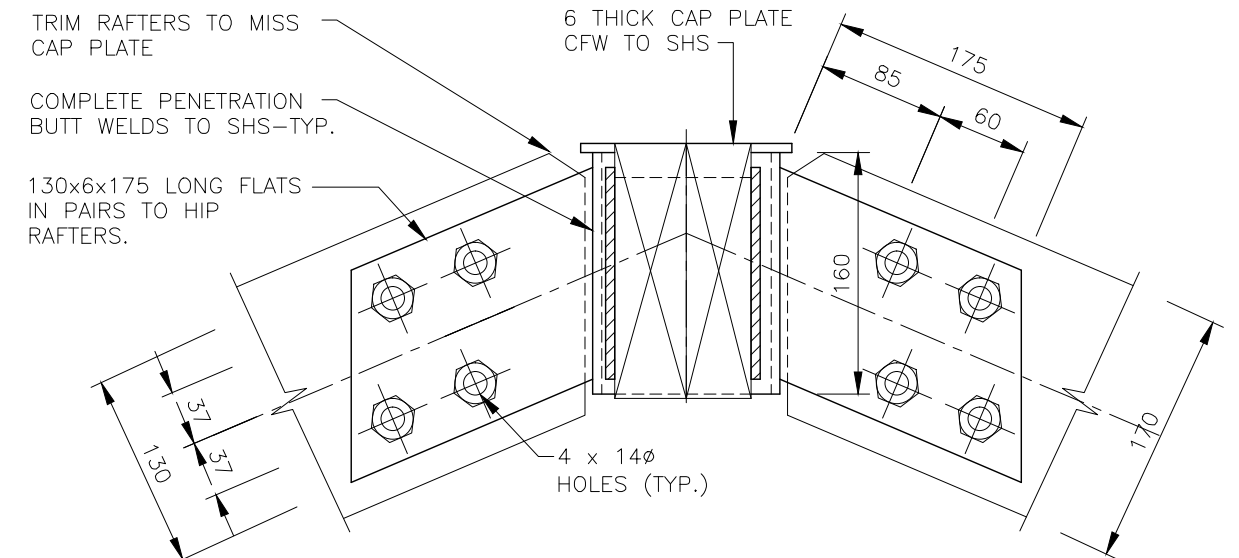
1. THIS DRAWING IS TO BE READ IN CONJUNCTION WITH SHEETS 3, 4, & 7.
2. REFER SHEETS 1 & 2 FOR STRUCTURAL NOTES AND SPECIFICATION.
3. IF ANNEX IS INCLUDED REFER TO SHEET 5.
4. DO NOT SCALE DRAWINGS FOR DIMENSIONS.
5. REFER TO BSD-10133 FOR LIGHTNING PROTECTION DETAILS.



SECTION A
SCALE 1:10



SECTION B
SCALE 1:10



SECTION C
SCALE 1:5
Sh7

STRUCTURAL DESIGN CERTIFICATION

DESIGN Original signed by : L. Mendis RPEQ: 8950 - 2014.11.26	DESIGN CHECK Original signed by : D. Bateup RPEQ: 13095 - 2014.11.26	AUTHORISED FOR ISSUE Original signed by : B. Balakumar RPEQ: 3963 - 2014.11.27
---	--	--

BRISBANE CITY COUNCIL STANDARD DRAWING

	<p>HIP ROOF SHELTER-PARK-DETAILS SHEET 6 OF 7</p>	<p>SCALE 1:10, 1:5</p>
	<p>DWG No. BSD-10131</p>	<p>ORIGINAL SIZE A3</p>
	<p>REVISION C</p>	

ISSUE	AMENDMENT	DRAWN DATE	CHK'D DATE	APPR'D DATE
C	Drawing Title Amended	FEB '16	JUL '16	JUL '16
B	NOTE 5 ADDED - LIGHTNING PROTECTION	JUNE '15	JUNE '15	JUNE '15
A	ORIGINAL ISSUE	SEPT '14	SEPT '14	SEPT '14

DRAWING AUTHORISED FOR PUBLICATION I. CONDRIK AUTHORISED JUNE 2015				DESIGN	L.M.	DATE	Sept '14
ASSET ENGINEERING MANAGER STRATEGIC ASSET MANAGEMENT				DRAWN	G.B.	DATE	Sept '14
DESIGN APPROVED D. VAN DER WALLE APPROVED JUNE 2015				CHECKED	D.B.	DATE	Sept '14
SENIOR CO-ORDINATOR PARKS ASSET SERVICES BRANCH - FIELD SERVICES GROUP				DRAWING FILENAME	BSD-10131(C) Hip roof shelter - Park - Details - Sheet 6 of 7.dwg		
				ASSOCIATED PLANS	BSD-10131 SHEETS 1,2,3,4,5 & 7		