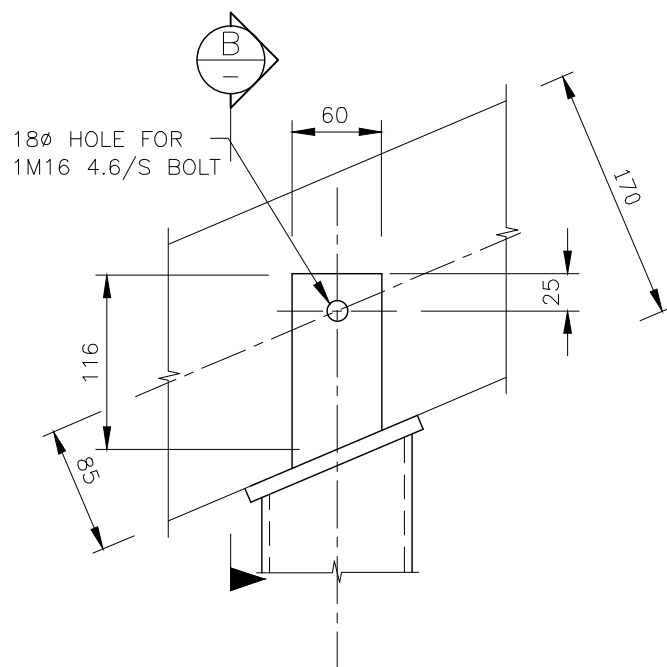


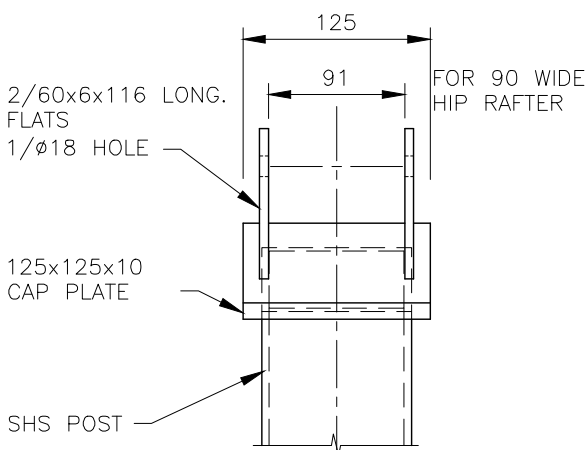
PLAN VIEW
SCALE 1:5

NOTES:

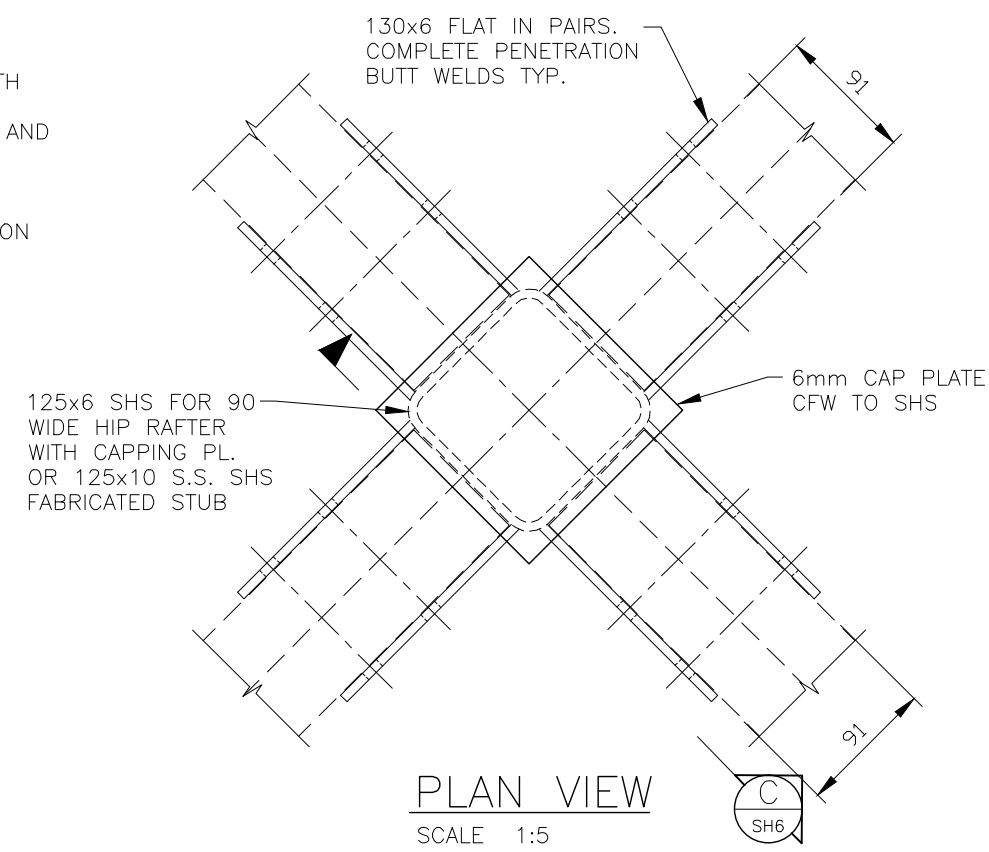
1. THIS DRAWING TO BE READ IN CONJUNCTION WITH SHEETS 3, 4 & 6.
2. REFER SHEETS 1 & 2 FOR STRUCTURAL NOTES AND SPECIFICATIONS.
3. IF ANNEX IS INCLUDED REFER TO SHEET 5.
4. DO NOT SCALE DRAWINGS FOR DIMENSIONS.
5. REFER TO BSD-10133 FOR LIGHTNING PROTECTION DETAILS.



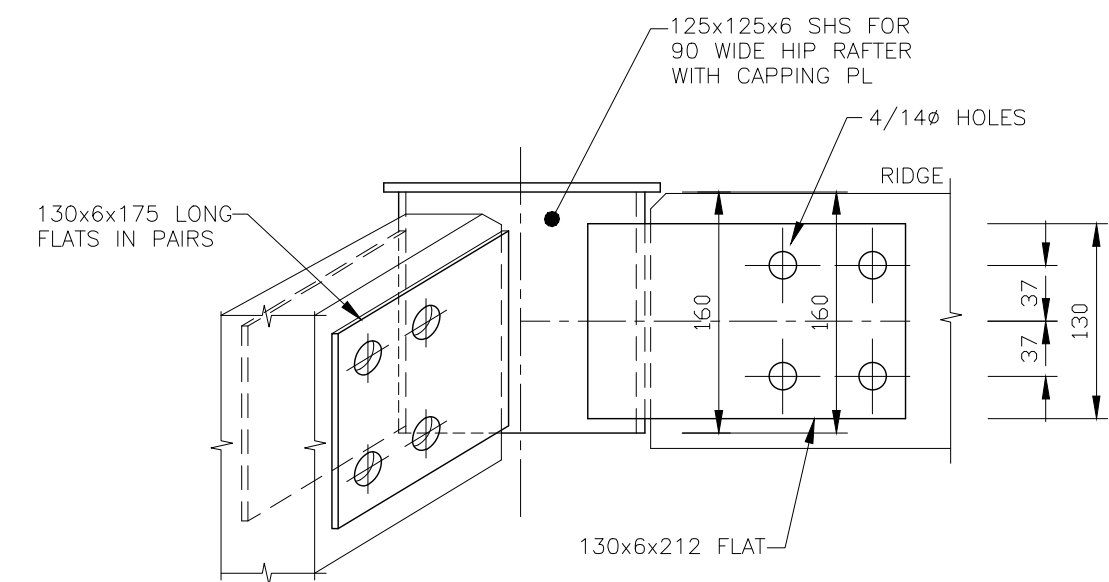
ELEVATION
SCALE 1:5



SECTION B
SCALE 1:5
POST TOP CONNECTION

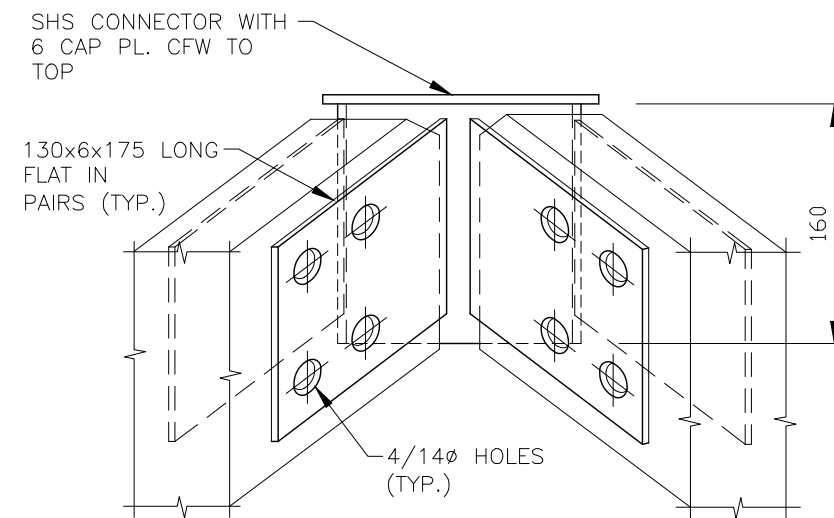


PLAN VIEW
SCALE 1:5



ELEVATION
SCALE 1:5

APEX CONNECTOR TYPE 2



ELEVATION
SCALE 1:5

APEX CONNECTOR TYPE 1

STRUCTURAL DESIGN CERTIFICATION

DESIGN Original signed by : L. Mendis RPEQ: 8950 - 2014.11.26	DESIGN CHECK Original signed by : D. Bateup RPEQ: 13095 - 2014.11.26	AUTHORISED FOR ISSUE Original signed by : B. Balakumar RPEQ: 3963 - 2014.11.27
---	--	--

BRISBANE CITY COUNCIL STANDARD DRAWING

HIP ROOF SHELTER-PARK-DETAILS
SHEET 7 OF 7

SCALE 1:5
DWG No. BSD-10131
ORIGINAL SIZE A3
REVISION C

ISSUE	AMENDMENT	DRAWN DATE	CHK'D DATE	APPR'D DATE
C	Drawing Title Amended	FEB '16	JUL '16	JUL '16
B	NOTE 5 ADDED - LIGHTNING PROTECTION	JUNE '15	JUNE '15	JUNE '15
A	ORIGINAL ISSUE	JUNE '14	JUNE '14	JUNE '14

DRAWING AUTHORISED FOR PUBLICATION
I. CONDRIK AUTHORISED
JUNE 2015
ASSET ENGINEERING MANAGER
STRATEGIC ASSET MANAGEMENT
DESIGN APPROVED
D. VAN DER WALLE
APPROVED JUNE 2015
SENIOR CO-ORDINATOR PARKS
ASSET SERVICES BRANCH - FIELD SERVICES GROUP

DESIGN	L.M.	DATE	Apl '14
DRAWN	G.B.	DATE	Apl '14
CHECKED	D.B.	DATE	Jun 14
DRAWING FILENAME	BSD-10131 (C) Hip roof shelter - Park - Details - Sheet 7 of 7.dwg		
ASSOCIATED PLANS	BSD-10131 SHEETS 1 TO 6		

