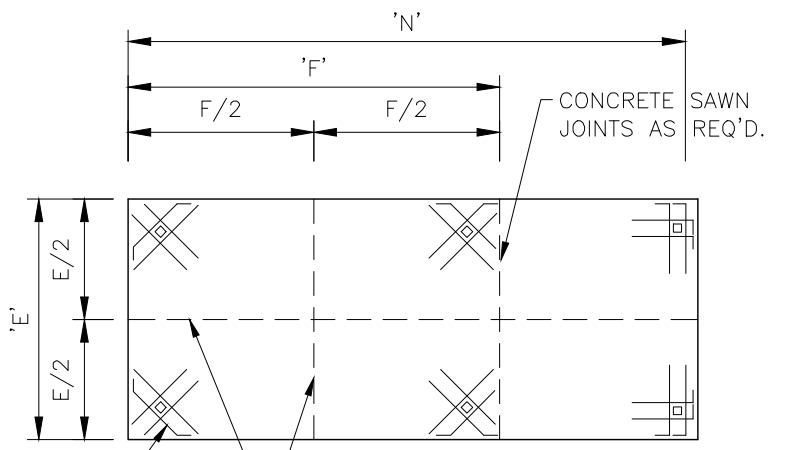
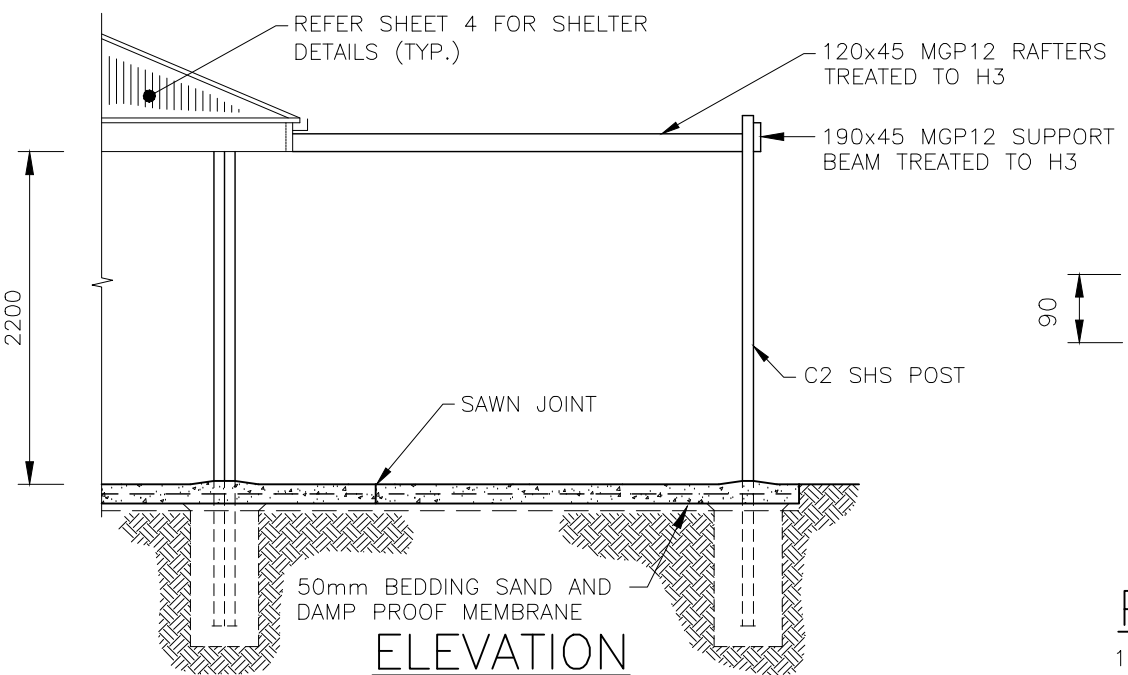


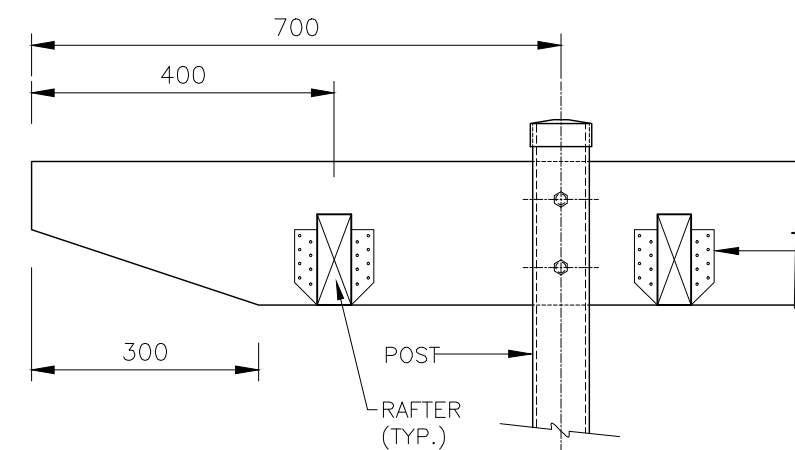
RAFTER-FASCIA DETAIL
1:10



SLAB LAYOUT DIAGRAM
NO SCALE



ELEVATION
1:50



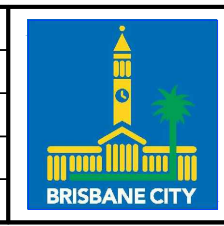
POST - RAFTER DETAIL
1:10 (SECTION B-B)

- NOTES:**
1. THIS DRAWING IS TO BE READ IN CONJUNCTION WITH SHEETS 3, 4, 6 AND 7.
 2. REFER TO SHEETS 1 & 2 FOR STRUCTURAL NOTES AND SPECIFICATION.
 3. DO NOT SCALE DRAWING FOR DIMENSIONS.
 4. REFER TO BSD-10133 FOR LIGHTNING PROTECTION DETAILS.

STRUCTURAL DESIGN CERTIFICATION		
DESIGN Original signed by : L. Mendis RPEQ: 8950 - 2014.11.26	DESIGN CHECK Original signed by : D. Bateup RPEQ: 13095 - 2014.11.26	AUTHORISED FOR ISSUE Original signed by : B. Balakumar RPEQ: 3963 - 2014.11.27

ISSUE	AMENDMENT	DRAWN DATE	CHK'D DATE	APPR'D DATE
C	Drawing Title Amended	FEB '16	JUL '16	JUL '16
B	NOTE 4 ADDED - LIGHTNING PROTECTION	JUNE '15	JUNE '15	JUNE '15
A	ORIGINAL ISSUE	SEPT '14	SEPT '14	SEPT '14

DRAWING AUTHORISED FOR PUBLICATION			
I. CONDRIK AUTHORISED JUNE 2015			
ASSET ENGINEERING MANAGER STRATEGIC ASSET MANAGEMENT			
DESIGN APPROVED			
D. VAN DER WALLE APPROVED JUNE 2015			
SENIOR CO-ORDINATOR PARKS ASSET SERVICES BRANCH - FIELD SERVICES GROUP			
DESIGN	L.M.	DATE	Sept '14
DRAWN	G.B.	DATE	Sept '14
CHECKED	D.B.	DATE	Sept '14
DRAWING FILENAME	BSD-10131(C) Hip roof shelter - Park - Optional annex - Plan and details - Sheet 5 of 7.dwg		
ASSOCIATED PLANS	BSD-10131 SHEETS 1,2,3,4,6 & 7		



BRISBANE CITY COUNCIL STANDARD DRAWING	
HIP ROOF SHELTER-PARK- OPTIONAL ANNEX-PLAN AND DETAILS-SHEET 5 OF 7	
SCALE 1:50, 1:10	DWG NO. BSD-10131
ORIGINAL SIZE A3	REVISION C