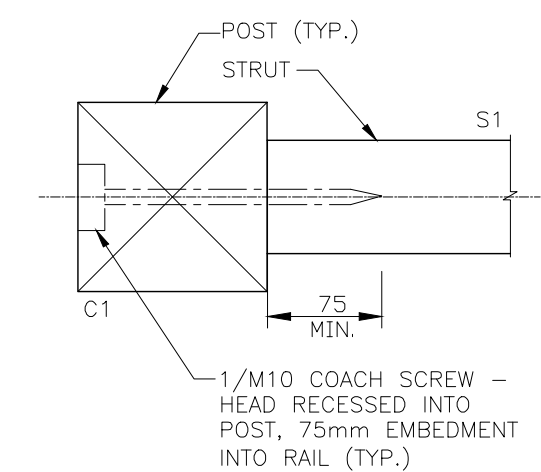
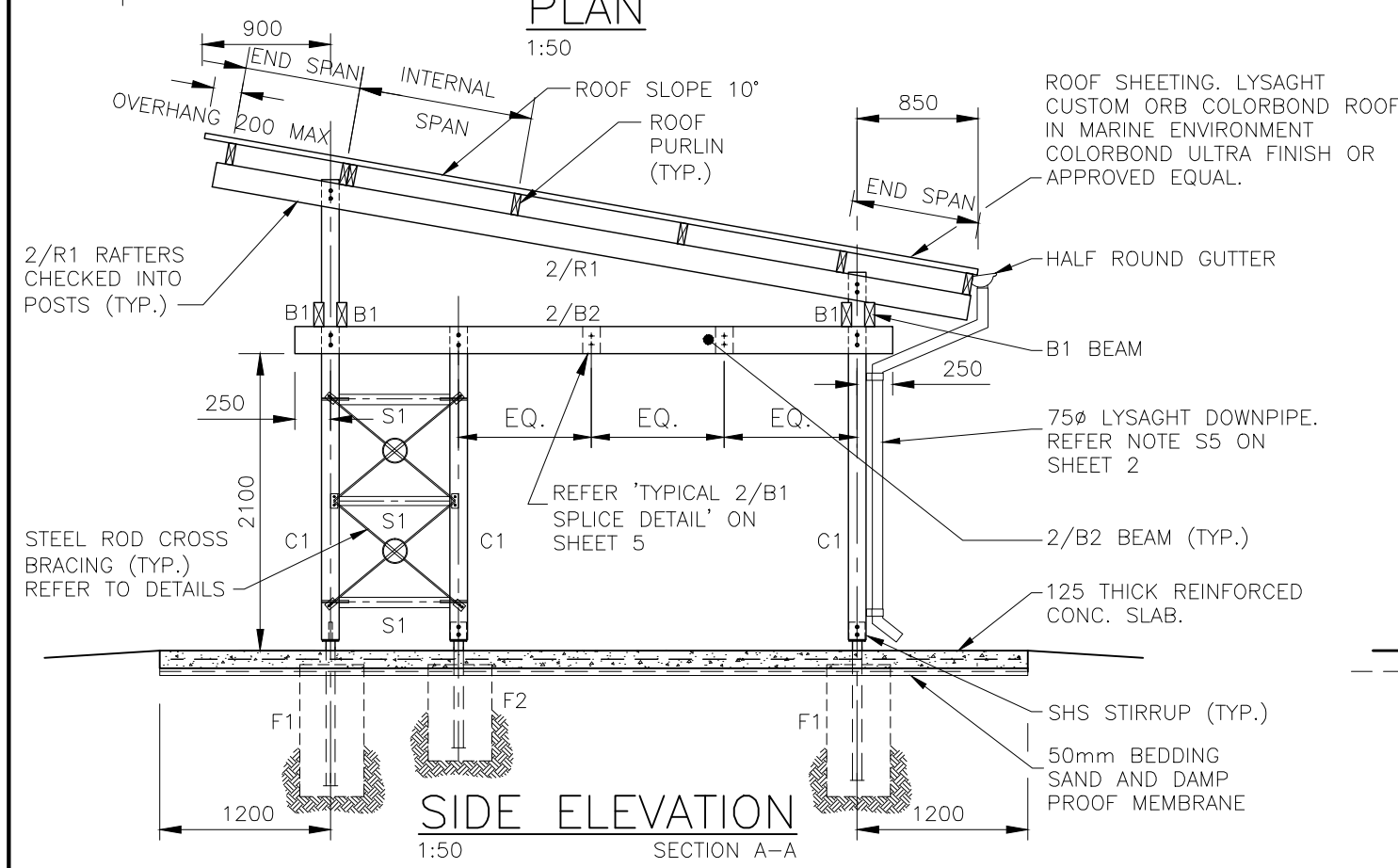


**PLAN**  
1:50

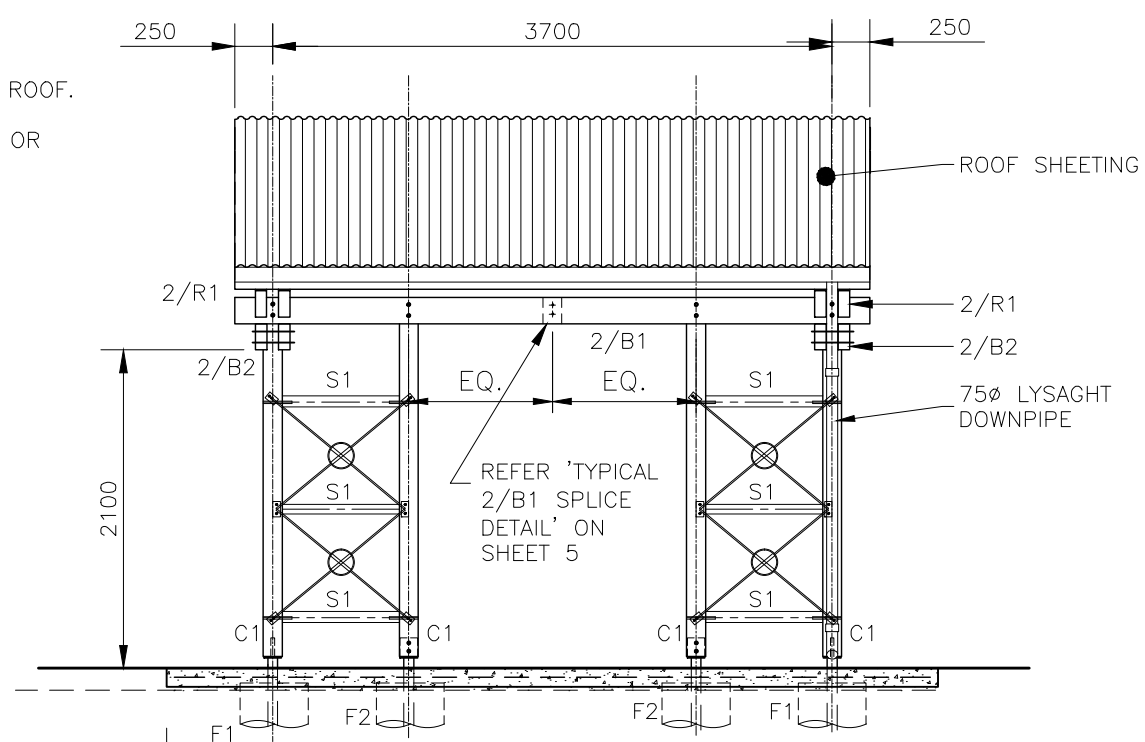


**STRUT/POST CONNECTION DETAIL**  
SCALE 1:5

- NOTES:**
1. THIS DRAWING IS TO BE READ IN CONJUNCTION WITH SHEETS 1, 2, 4 AND 5.
  2. REFER TO BSD-10133 FOR LIGHTNING PROTECTION DETAILS.



**SIDE ELEVATION**  
1:50  
SECTION A-A



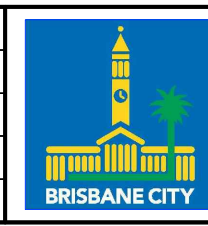
**END ELEVATION**  
1:50  
SECTION C-C

**STRUCTURAL DESIGN CERTIFICATION**

DESIGN Original signed by : L. Mendis RPEQ: 8950 - 2014.11.26	DESIGN CHECK Original signed by : D. Bateup RPEQ: 13095 - 2014.11.26	AUTHORISED FOR ISSUE Original signed by : B. Balakumar RPEQ: 3963 - 2014.11.27
---------------------------------------------------------------------	----------------------------------------------------------------------------	--------------------------------------------------------------------------------------

ISSUE	AMENDMENT	DRAWN DATE	CHK'D DATE	APPR'D DATE
C	Drawing Title Amended	FEB '16	JUL '16	JUL '16
B	NOTE 2 ADDED - LIGHTNING PROTECTION	JUNE '15	JUNE '15	JUNE '15
A	ORIGINAL ISSUE	SEPT '14	SEPT '14	SEPT '14

DRAWING AUTHORISED FOR PUBLICATION I. CONDRIK AUTHORISED JUNE 2015				DESIGN	L.M.	DATE	Sept '14
ASSET ENGINEERING MANAGER STRATEGIC ASSET MANAGEMENT				DRAWN	G.B.	DATE	Sept '14
DESIGN APPROVED D. VAN DER WALLE APPROVED JUNE 2015				CHECKED	D.B.	DATE	Sept '14
SENIOR CO-ORDINATOR PARKS ASSET SERVICES BRANCH - FIELD SERVICES GROUP				DRAWING FILENAME	BSD-10132 (C) Skillion Roof Shelter - Park - Plan and details - Sheet 3 of 5.dwg		
				ASSOCIATED PLANS	BSD-10132 SHEETS 1, 2, 4 AND 5		



**BRISBANE CITY COUNCIL STANDARD DRAWING**

**SKILLION ROOF SHELTER-PARK**  
PLAN AND DETAILS  
SHEET 3 OF 5

SCALE: 1:50, 1:20, 1:5  
DWG No. **BSD-10132**  
ORIGINAL SIZE: A3  
REVISION: C