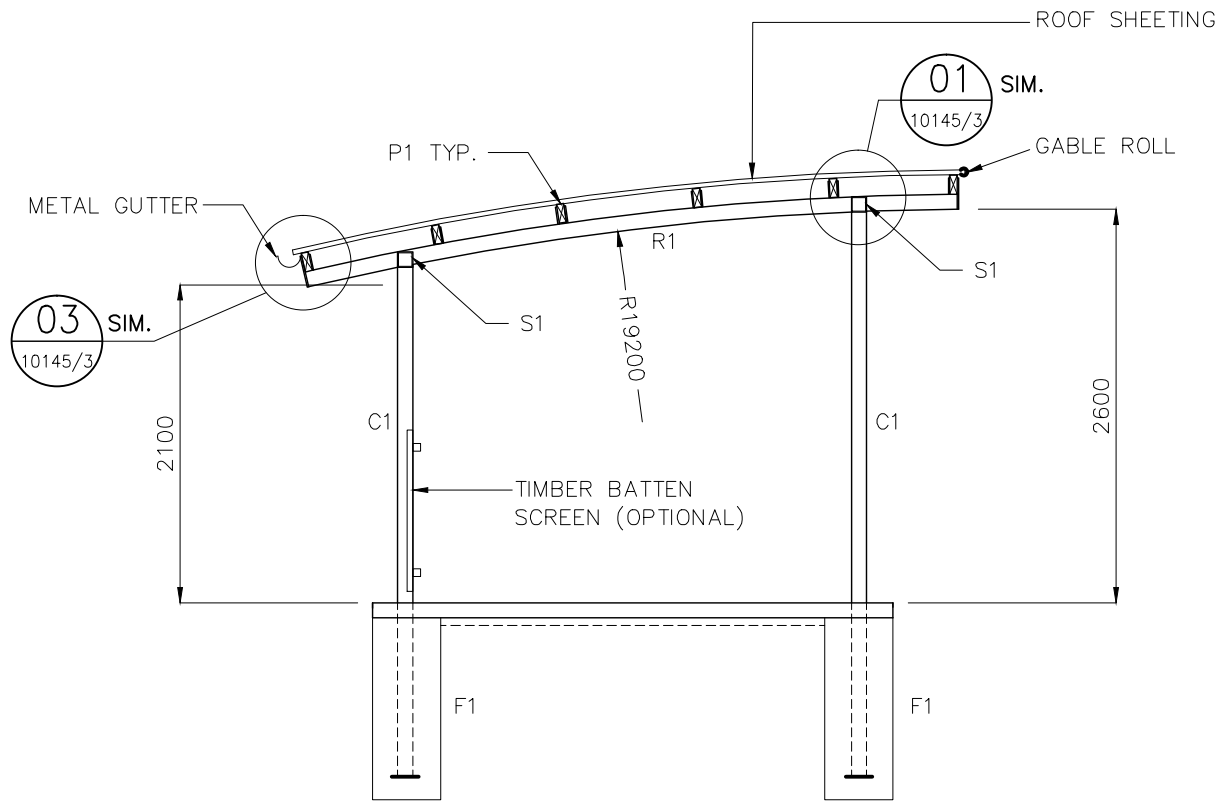
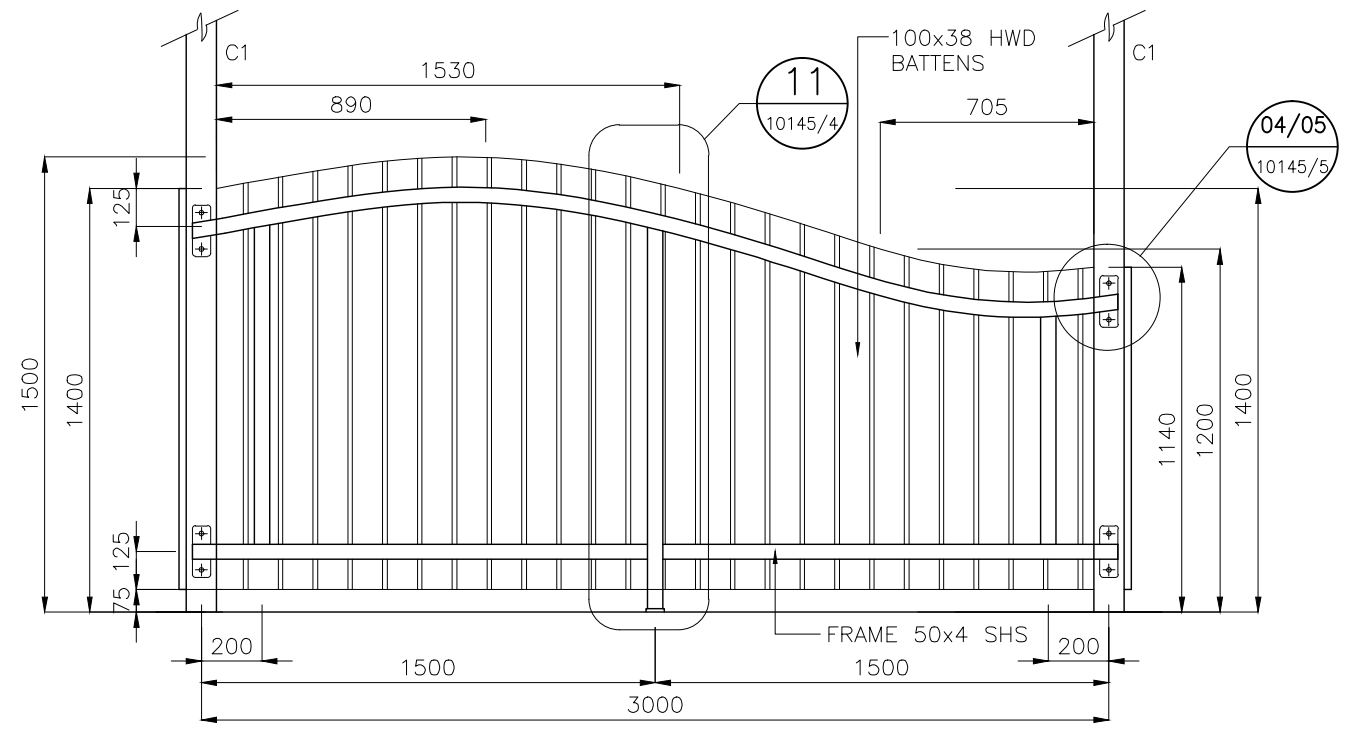


**ELEVATION B**  
SCALE: 1:50



**SECTION A**  
SCALE: 1:50



**SCREEN ELEVATION C**  
SCALE: 1:25

**GENERAL NOTES**

1. REFER TO BSD-10145 SHEET 1 AND 2 FOR STRUCTURAL NOTES AND STEEL MEMBER SCHEDULE
2. REFER TO BSD-10145 SHEET 3 FOR TYPICAL FOOTING AND SLAB DETAILS.
3. REFER TO BSD-10145 SHEET 4 & 5 FOR SCREEN DETAILS IF SCREEN IS SPECIFIED FOR SHELTER.
4. (U) DENOTES UNDER

| STRUCTURAL DESIGN CERTIFICATION                      |   |  |
|--|---|--|
| DESIGN   | DESIGN CHECK                                      | AUTHORISED FOR ISSUE                                   |
| Zhangzhi Hu RPEQ.13885<br>2014.11.26 15:32:30+10'00" | D.Bateup RPEQ.13095<br>2014.11.26 16:08:21+10'00" | Bala Balakumar RPEQ.3963<br>2014.11.27 08:33:06+10'00" |

| ISSUE | AMENDMENT             | DRAWN DATE | CHK'D DATE | APPR'D DATE |
|-------|-----------------------|------------|------------|-------------|
| B     | Drawing Title Amended | FEB '16    | JUL '16    | JUL '16     |
| A     | ORIGINAL ISSUE        | NOV '14    | NOV '14    | NOV '14     |

DRAWING AUTHORISED FOR PUBLICATION  
Inga Condric  
2015.06.04 14:56:31+10'00"  
of ASSET ENGINEERING MANAGER  
STRATEGIC ASSET MANAGEMENT  
DESIGN APPROVED  
C.Wood  
SENIOR CO-ORDINATOR NATURAL ENVIRONMENT  
ASSET SERVICES/BRISBANE INFRASTRUCTURE

|                  |   |      |         |
|------------------|---|------|---------|
| DESIGN           | CPO - P&D   | DATE | NOV '14 |
| DRAWN            | CPO - P&D   | DATE | NOV '14 |
| CHECKED          | BI - FSG - AS   | DATE | NOV '14 |
| DRAWING FILENAME | BSD-10141 (B) Small Shelter - Natural area - Elevation and section - Sheet 2 of 2.dwg |      |         |
| ASSOCIATED PLANS | BSD-10141-Sheet 1   |      |         |



| BRISBANE CITY COUNCIL STANDARD DRAWING                                |   |
|---|---|
| SMALL SHELTER - NATURAL AREA<br>ELEVATION AND SECTION<br>SHEET 2 OF 2 | SCALE AS SHOWN<br>DWG No. <b>BSD-10141</b><br>ORIGINAL SIZE A3 REVISION B |