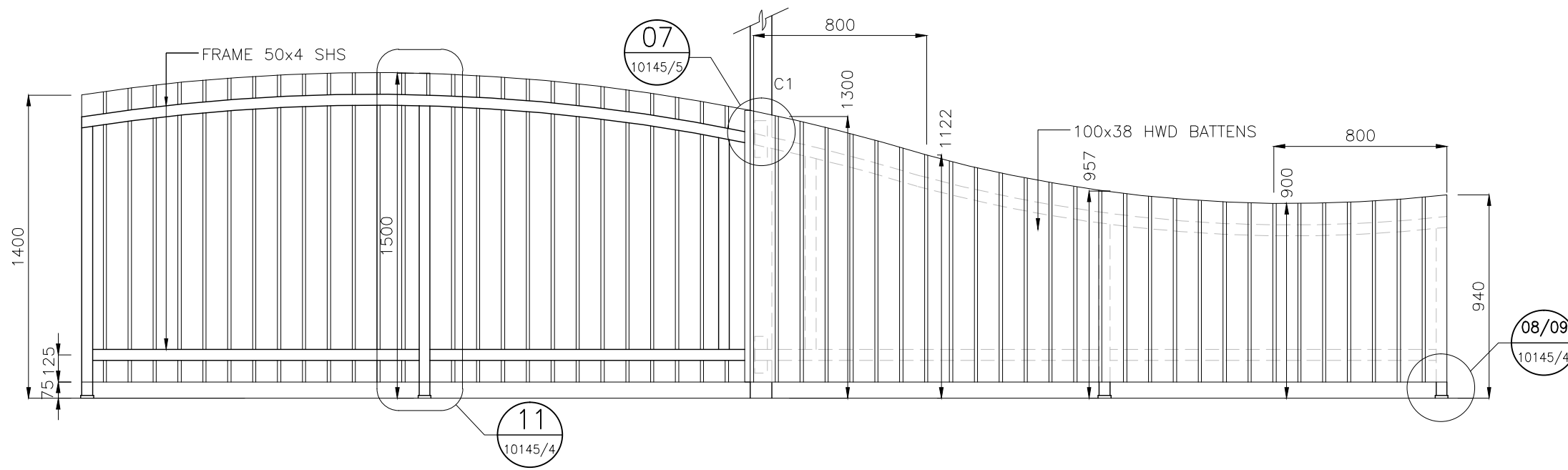


SECTION A
SCALE 1:50



SCREEN ELEVATION A
SCALE 1:25

GENERAL NOTES

1. REFER TO BSD-10145 SHEET 1 AND 2 FOR STRUCTURAL NOTES AND STEEL MEMBER SCHEDULE
2. REFER TO BSD-10145 SHEET 3 FOR TYPICAL FOOTING AND SLAB DETAILS.
3. REFER TO BSD-10145 SHEET 4 & 5 FOR SCREEN DETAILS IF SCREEN IS SPECIFIED FOR SHELTER.
4. (U) DENOTES UNDER

STRUCTURAL DESIGN CERTIFICATION		
DESIGN	DESIGN CHECK	AUTHORISED FOR ISSUE
Zhuangzhi Hu RPEQ.13885 2014.11.26 15:33:11+10'00"	D.Bateup RPEQ.13095 2014.11.26 16:09:49+10'00"	Bala Balakumar RPEQ.3963 2014.11.27 08:34:17+10'00"

ISSUE	AMENDMENT	DRAWN DATE	CHK'D DATE	APPR'D DATE
B	Drawing Title Amended	FEB '16	JUL '16	JUL '16
A	ORIGINAL ISSUE	NOV '14	NOV '14	NOV '14

DRAWING AUTHORISED FOR PUBLICATION
Inga Condric
2015.06.04 15:19:37+10'00"
for ASSET ENGINEERING MANAGER
STRATEGIC ASSET MANAGEMENT
DESIGN APPROVED
C.Wood
SENIOR CO-ORDINATOR NATURAL ENVIRONMENT
ASSET SERVICES/BRISBANE INFRASTRUCTURE

DESIGN	CPO - P&D	DATE	NOV '14
DRAWN	CPO - P&D	DATE	NOV '14
CHECKED	BI - FSG - AS	DATE	NOV '14
DRAWING FILENAME	BSD-10142 BI Medium_large shelter - Natural area - Elevation and section - Sheet 2 of 2.dwg		
ASSOCIATED PLANS	BSD-10142-Sheet 1		



BRISBANE CITY COUNCIL STANDARD DRAWING

MEDIUM/LARGE SHELTER – NATURAL AREA – ELEVATION & SECTION
SHEET 2 OF 2

SCALE	AS SHOWN
DWG No.	BSD-10142
ORIGINAL SIZE	A3
REVISION	B