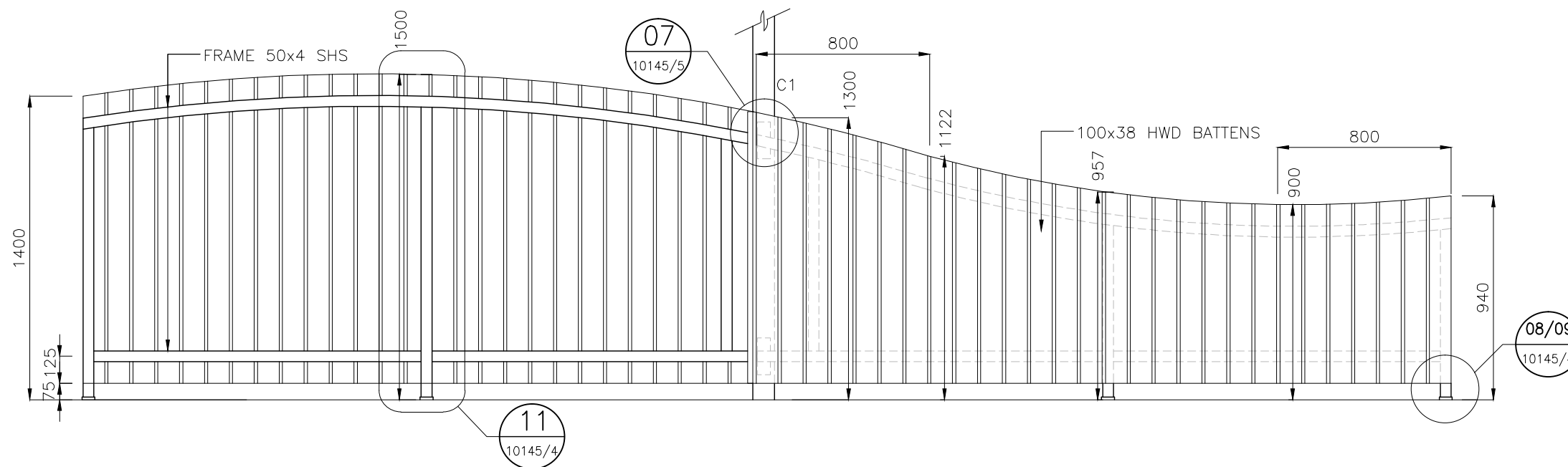


SECTION A  
SCALE: 1:50



SCREEN ELEVATION A  
SCALE 1:25

GENERAL NOTES

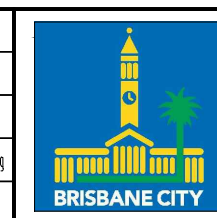
1. REFER TO BSD-10145 SHEET 1 AND 2 FOR STRUCTURAL NOTES AND STEEL MEMBER SCHEDULE
2. REFER TO BSD-10145 SHEET 3 FOR TYPICAL FOOTING AND SLAB DETAILS.
3. REFER TO BSD-10145 SHEET 4 & 5 FOR SCREEN DETAILS IF SCREEN IS SPECIFIED FOR SHELTER.
4. (U) DENOTES UNDER

STRUCTURAL DESIGN CERTIFICATION		
DESIGN	DESIGN CHECK	AUTHORISED FOR ISSUE
Zhuangzhi Hu RPEQ.13885 2014.11.26 15:33:38-10'00"	D.Bateup RPEQ.13095 2014.11.26 16:11:08-10'00"	Bala Balakumar RPEQ.3963 2014.11.27 08:35:35-10'00"

ISSUE	AMENDMENT	DRAWN DATE	CHK'D DATE	APPR'D DATE
B	Drawing Title Amended	FEB '16	JUL '16	JUL '16
A	ORIGINAL ISSUE	NOV '14	NOV '14	NOV '14

DRAWING AUTHORISED FOR PUBLICATION  
Inga Cendric  
2015.06.04 15:20:55+10'00"  
of ASSET ENGINEERING MANAGER  
STRATEGIC ASSET MANAGEMENT  
DESIGN APPROVED  
C.Wood  
SENIOR CO-ORDINATOR NATURAL ENVIRONMENT  
ASSET SERVICES/BRISBANE INFRASTRUCTURE

DESIGN	CPO - P&D	DATE	NOV '14
DRAWN	CPO - P&D	DATE	NOV '14
CHECKED	BI - FSG - AS	DATE	NOV '14
DRAWING FILENAME	BSD-10143 (B) Large shelter - Natural area - Elevation and section - Sheet 2 of 2.dwg		
ASSOCIATED PLANS	BSD-10143-Sheet 1		



**BRISBANE CITY COUNCIL STANDARD DRAWING**

**LARGE SHELTER – NATURAL AREA ELEVATION & SECTION SHEET 2 OF 2**

SCALE: AS SHOWN  
DWG No: **BSD-10143**  
ORIGINAL SIZE: A3 REVISION: B