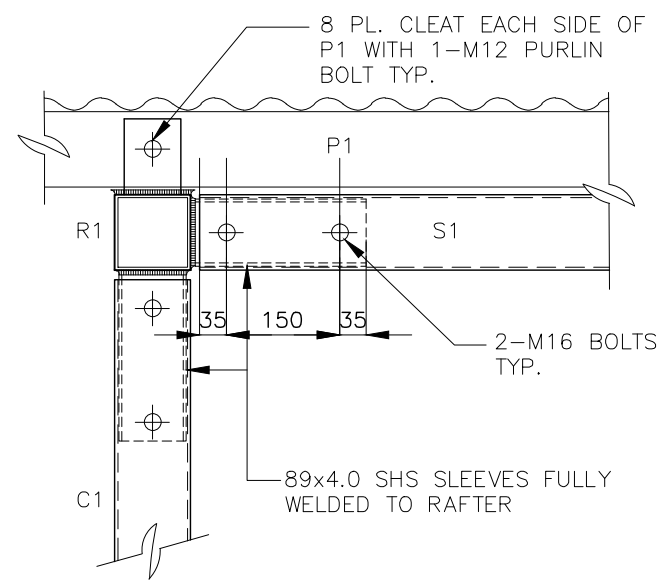
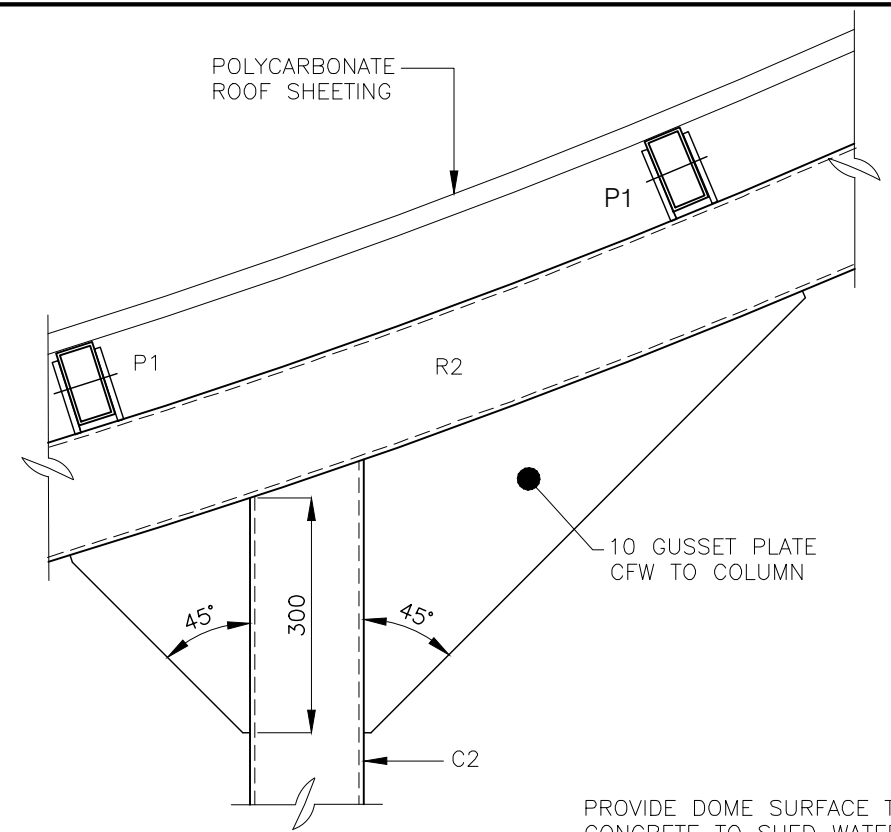


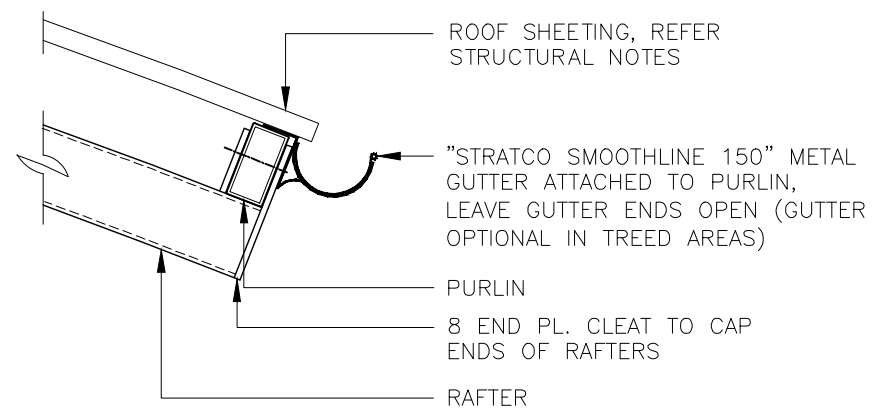
DETAIL 01
SCALE 1:10



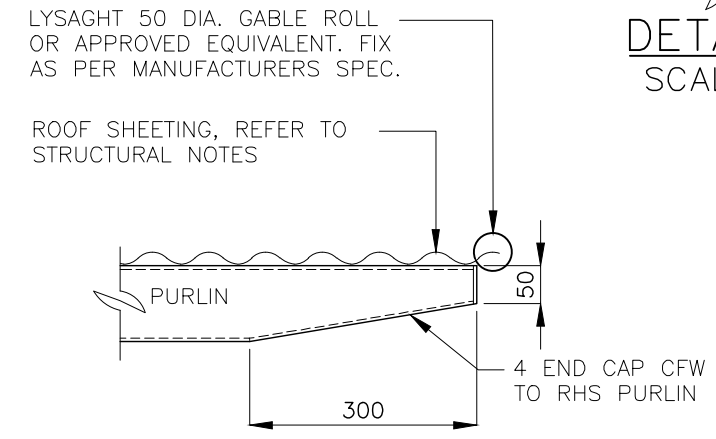
SECTION Y
SCALE 1:10



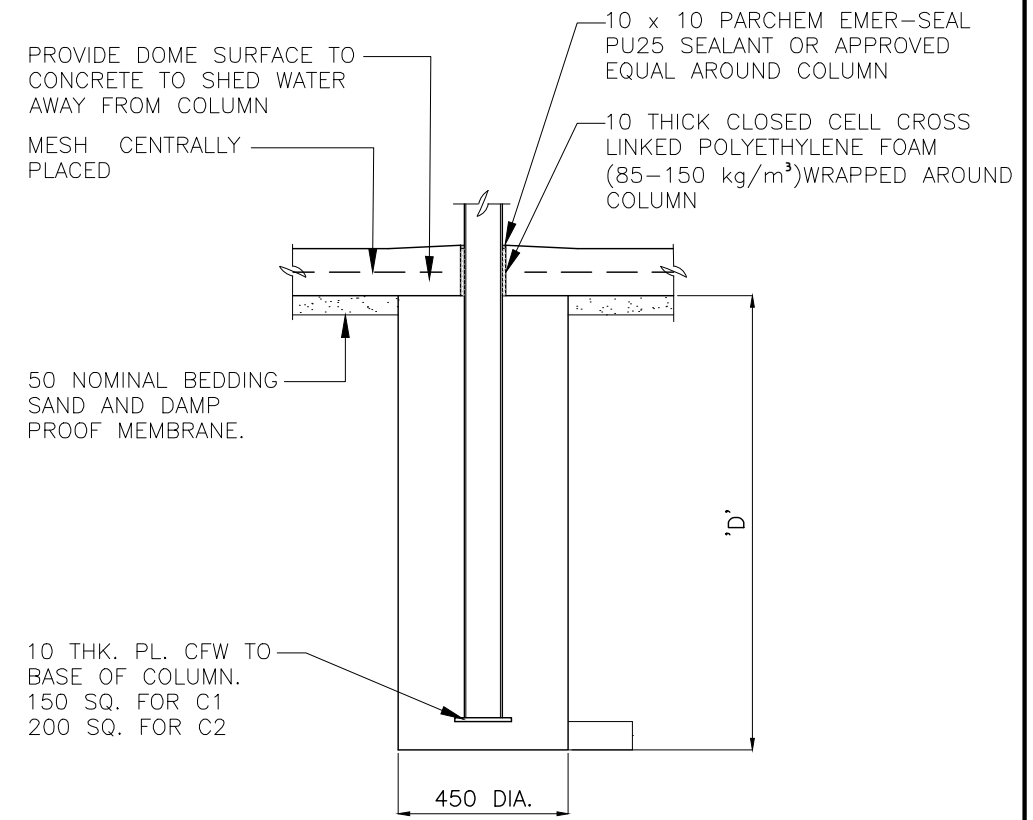
DETAIL 02
SCALE 1:10



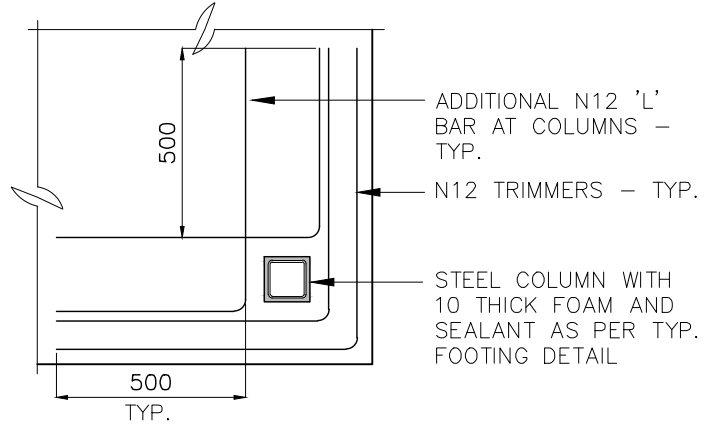
DETAIL 03
SCALE 1:10



SECTION 2
SCALE 1:10



TYPICAL FOOTING DETAIL
SCALE 1:20



TYPICAL CORNER DETAIL
SCALE 1:20

GENERAL NOTES

- REFER TO BSD-10145 SHEET 1 AND 2 FOR STRUCTURAL NOTES.
- REFER TO BSD-10145 SHEET 2 FOR STEEL MEMBER SCHEDULE.
- FOR SHELTER PLANS, SECTIONS AND ELEVATIONS REFER TO:
 - BSD-10141 - SMALL SHELTER - SHEETS 1 TO 2
 - BSD-10142 - MEDIUM/LARGE SHELTER - SHEETS 1 TO 2
 - BSD-10143 - LARGE SHELTER - SHEETS 1 TO 2
 - BSD-10144 - SMALL INFORMATION SHELTER

STRUCTURAL DESIGN CERTIFICATION		
DESIGN	DESIGN CHECK	AUTHORISED FOR ISSUE
Zhuangzhi Hu RPEQ 13885 2014.11.26 15:38:13+10'00'	D. Bateup RPEQ 13095 2014.11.26 16:13:48+10'00'	Bala Balakumar RPEQ 3963 2014.11.27 08:38:13+10'00'

ISSUE	AMENDMENT	DRAWN DATE	CHK'D DATE	APPR'D DATE
B	Drawing Title Amended	FEB '16	JUL '16	JUL '16
A	ORIGINAL ISSUE	NOV '14	NOV '14	NOV '14

DRAWING AUTHORISED FOR PUBLICATION			
DESIGN	CPO - P&D	DATE	NOV '14
DRAWN	CPO - P&D	DATE	NOV '14
CHECKED	BI - FSG - AS	DATE	NOV '14
DRAWING FILENAME	BSD-10145 (BI) Small_Medium_Large shelters - Natural area - Details - Sheet 3 of 5.dwg		
ASSOCIATED PLANS	BSD-10145-Sheets 1,2,4 & 5		



BRISBANE CITY COUNCIL STANDARD DRAWING	
SCALE	AS SHOWN
DWG No.	BSD-10145
ORIGINAL SIZE	A3
REVISION	B

**SMALL/MEDIUM/LARGE SHELTERS
NATURAL AREA - DETAILS
SHEET 3 OF 5**