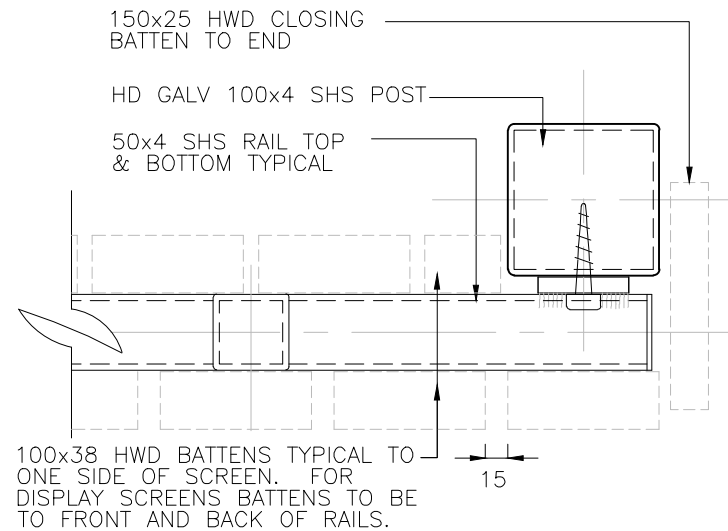
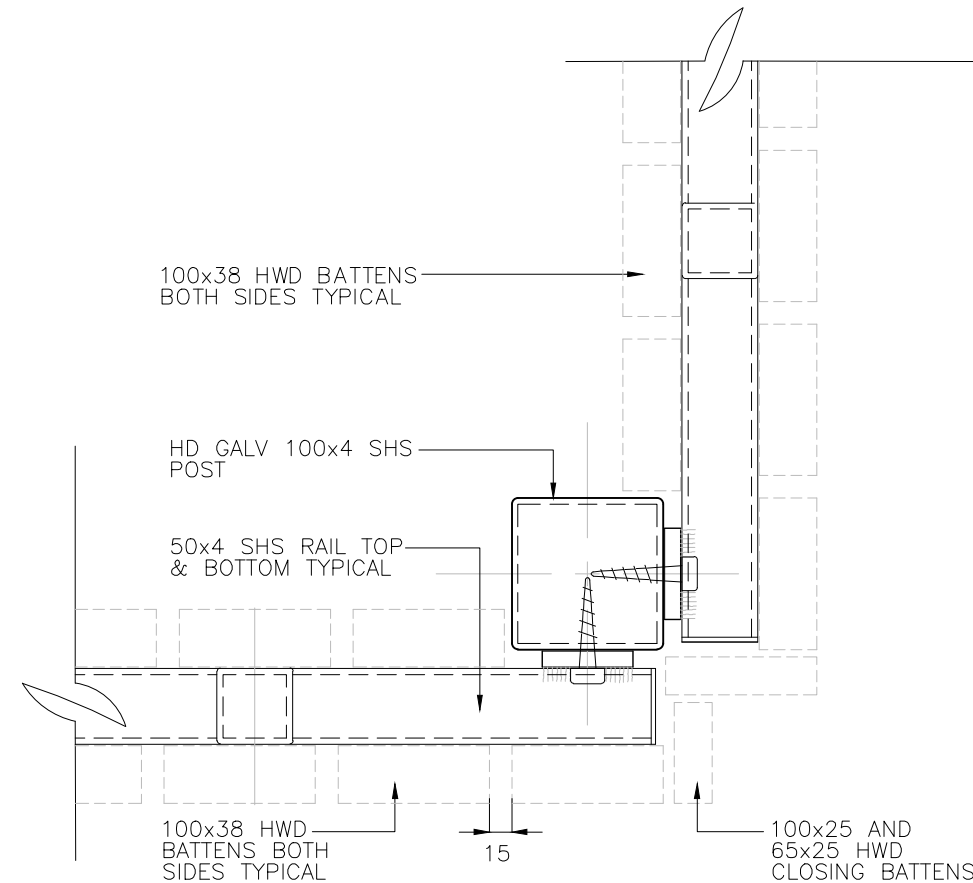


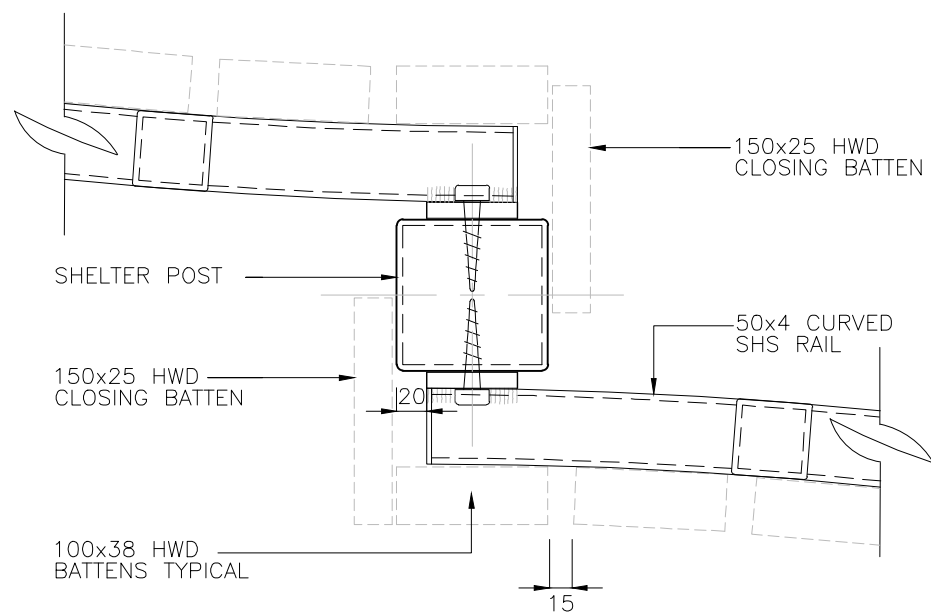
**DETAIL 04 – RAIL END CONNECTION TO SHELTER POST – ELEVATION**  
SCALE 1:5



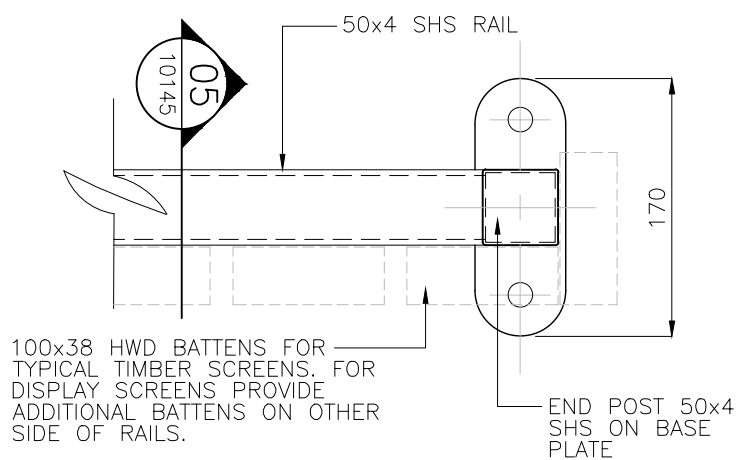
**DETAIL 05 – RAIL END CONNECTION TO SHELTER POST – SECTION**  
SCALE 1:5



**DETAIL 06 – CORNER DETAIL FOR DISPLAY SCREENS TO SHELTER POST**  
SCALE 1:5



**DETAIL 07 – DIVIDING WALL – RAIL CONNECTION TO SHELTER POST – SECTION**  
SCALE 1:5



**DETAIL 08 – MID AND END POST – BASE PLATE – PLAN**  
SCALE 1:5

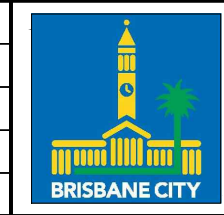
**GENERAL NOTES**

- REFER TO BSD-10145 SHEET 1 AND 2 FOR STRUCTURAL NOTES.
- REFER TO BSD-10145 SHEET 3 & 4 FOR SHELTER AND SCREEN DETAILS.
- FOR SHELTER PLANS, SECTIONS AND ELEVATIONS REFER TO:
  - BSD-10141 - SMALL SHELTER - SHEETS 1 TO 2
  - BSD-10142 - MEDIUM/LARGE SHELTER - SHEETS 1 TO 2
  - BSD-10143 - LARGE SHELTER - SHEETS 1 TO 2
  - BSD-10144 - SMALL INFORMATION SHELTER

STRUCTURAL DESIGN CERTIFICATION		
DESIGN	DESIGN CHECK	AUTHORISED FOR ISSUE
Zhuangzhi Hu RPEQ 13885 2014.11.26 15:38:52+10'00'	D. Bateup RPEQ 13095 2014.11.26 16:15:03+10'00'	Bala Balakumar RPEQ 3963 2014.11.27 08:39:22+10'00'

ISSUE	AMENDMENT	DRAWN DATE	CHK'D DATE	APPR'D DATE
B	Drawing Title Amended	FEB '16	JUL '16	JUL '16
A	ORIGINAL ISSUE	NOV '14	NOV '14	NOV '14

DRAWING AUTHORISED FOR PUBLICATION			
DESIGN	CPO - P&D	DATE	NOV '14
DRAWN	CPO - P&D	DATE	NOV '14
CHECKED	BI - FSG - AS	DATE	NOV '14
DRAWING FILENAME	BSD-10145 BI_Small_Medium_Large shelters - Natural area - Screen details - Sheet 5 of 5.dwg		
ASSOCIATED PLANS	BSD-10145-Sheets 1,2,3 & 4		



BRISBANE CITY COUNCIL STANDARD DRAWING	
SMALL/MEDIUM/LARGE SHELTERS NATURAL AREA – SCREEN DETAILS SHEET 5 OF 5	SCALE: AS SHOWN DWG No: <b>BSD-10145</b> ORIGINAL SIZE: A3 REVISION: B