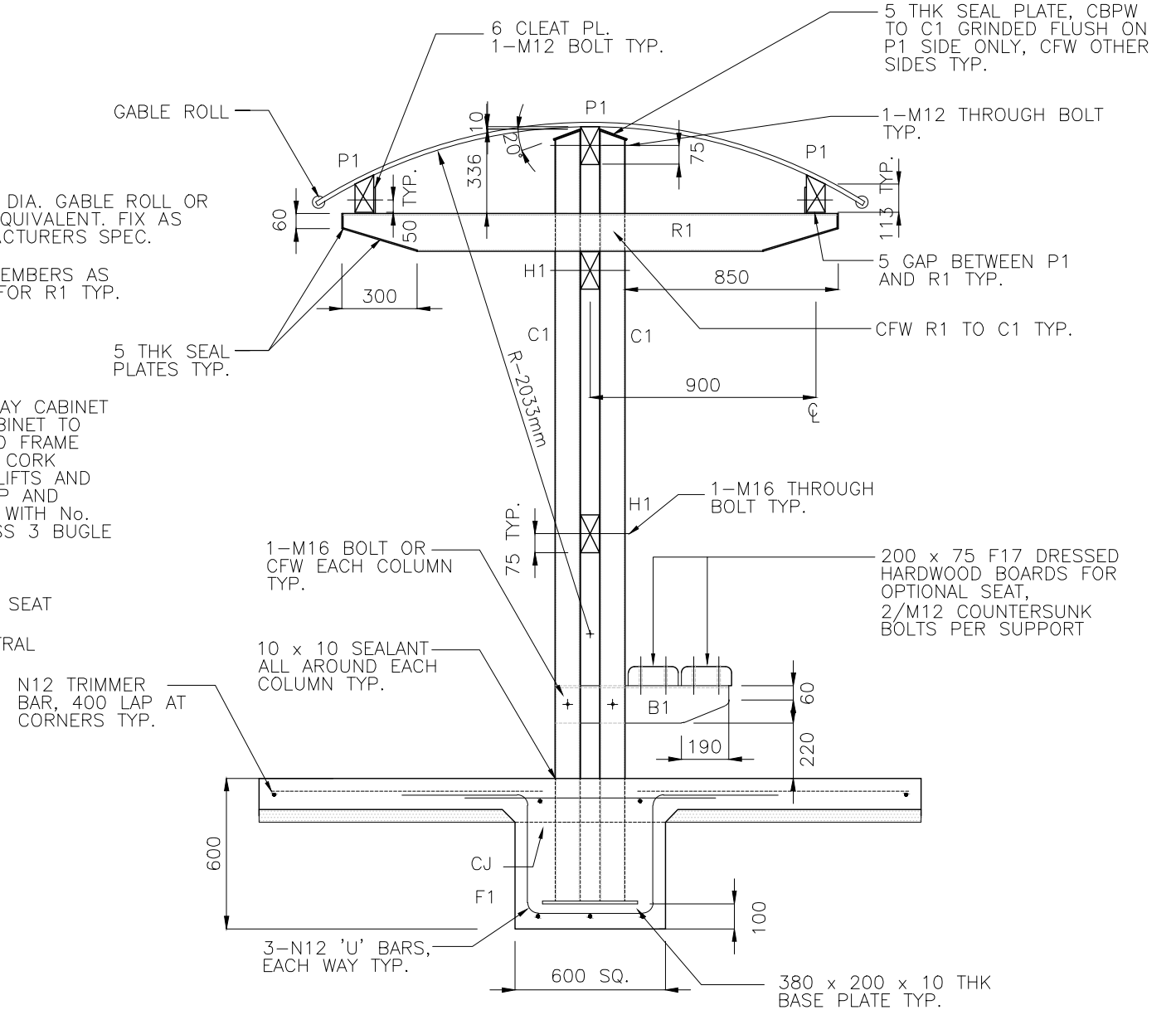


ELEVATION - VIEW A
SCALE 1:25



SECTION B
SCALE 1:25



OPTIONAL SEAT - SECTION C-C
SCALE 1:25

NOTES

- REFER TO:
 - BSD-10146-SIGN SHELTER-NATURAL AREA-SHEET 1 OF 3-GENERAL NOTES
 - BSD-10146-SIGN SHELTER-NATURAL AREA-SHEET 2 OF 3-PLAN

STRUCTURAL DESIGN CERTIFICATION

DESIGN	DESIGN CHECK	AUTHORISED FOR ISSUE
D. Bateup RPEQ 13095 2014.11.26 16:18:09+10'00'	Zhuangzhi Hu RPEQ 13885 2014.11.26 16:31:07+10'00'	Bala Balakumar RPEQ 3963 2014.11.27 08:41:00+10'00'

BRISBANE CITY COUNCIL STANDARD DRAWING

SIGN SHELTER - NATURAL AREA ELEVATION AND SECTION SHEET 3 OF 3		SCALE 1:25
DWG No. BSD-10146		ORIGINAL SIZE A3
		REVISION B

B	Drawing Title Amended	FEB '16	JUL '16	JUL '16
A	ORIGINAL ISSUE	NOV '14	NOV '14	NOV '14
ISSUE	AMENDMENT	DRAWN DATE	CHK'D DATE	APPR'D DATE

DRAWING AUTHORISED FOR PUBLICATION
 Inga Condric
 2015.06.04 15:30:19+10'00'
 for ASSET ENGINEERING MANAGER
 STRATEGIC ASSET MANAGEMENT
 DESIGN APPROVED
 C. Wood
 SENIOR CO-ORDINATOR NATURAL ENVIRONMENT
 ASSET SERVICES/BRISBANE INFRASTRUCTURE

DESIGN	CP0 - P&D	DATE	NOV '14
DRAWN	CP0 - P&D	DATE	NOV '14
CHECKED	BI - FSG - AS	DATE	NOV '14
DRAWING FILENAME	BSD-10146 (B) Sign shelter - Natural area - Section and elevation - Sheet 3 of 3.dwg		
ASSOCIATED PLANS	BSD-10146-Sheets 1 & 2		

