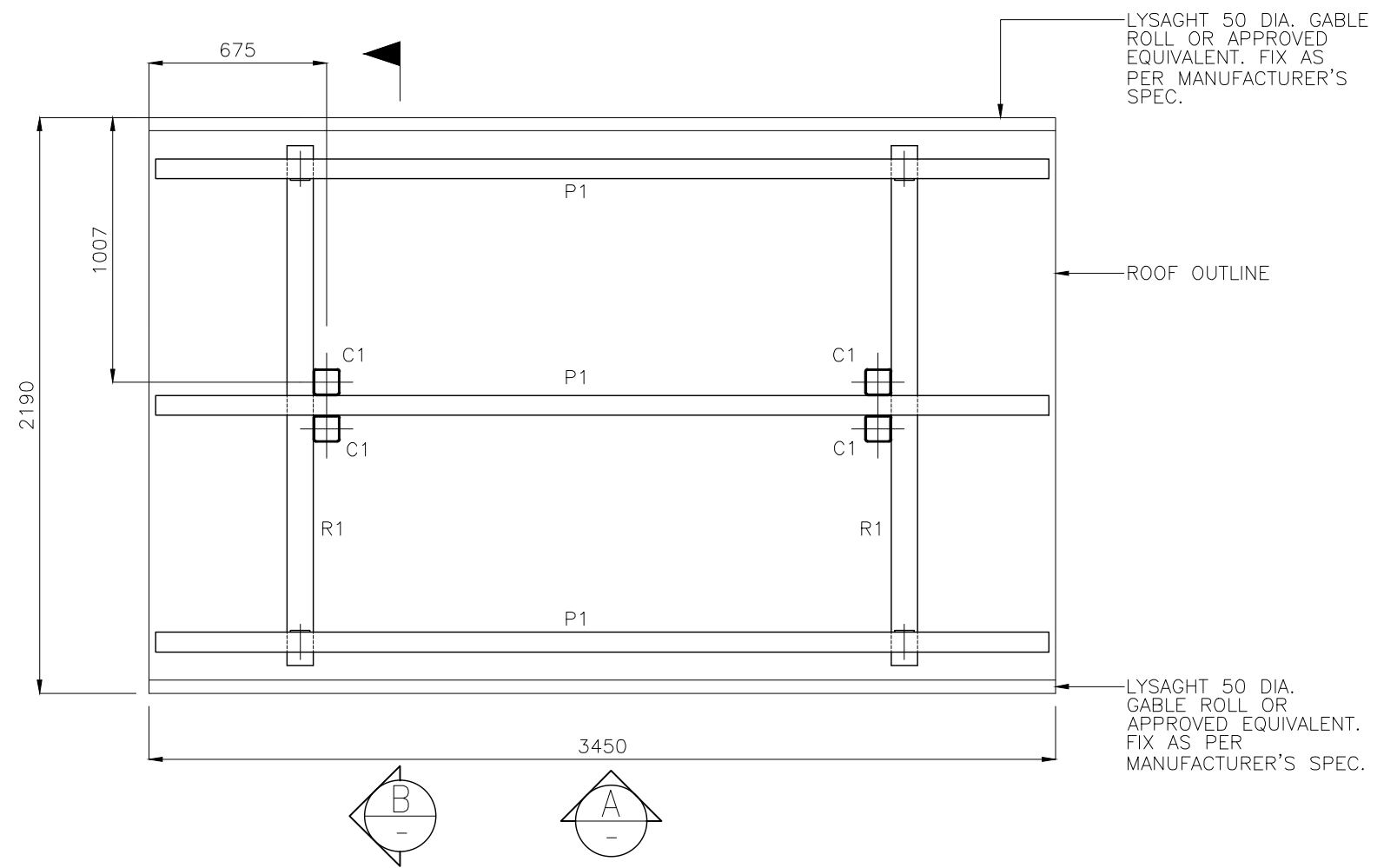


**SLAB AND FOOTING PLAN**  
SCALE 1:25



**ROOF FRAMING PLAN**  
SCALE 1:25

MEMBER SCHEDULE	
MARK	MEMBER
B1	150 x 100 x 10 UA BEAM
C1	100 x 4 SHS COLUMN
H1	150 x 75 F17 HWD HEADER
P1	150 x 75 F17 HWD PURLIN
R1	152 x 76 x 5 RHS RAFTER

**NOTES**

- REFER TO:  
 - BSD-10146-SIGN SHELTER-NATURAL AREA-SHEET 1 OF 3-GENERAL NOTES  
 - BSD-10146-SIGN SHELTER-NATURAL AREA-SHEET 3 OF 3-ELEVATION AND SECTION

**STRUCTURAL DESIGN CERTIFICATION**

DESIGN	DESIGN CHECK	AUTHORISED FOR ISSUE
D. Bateup RPEQ 13095 2014.11.26 16:17:40+10'00'	Zhuangzhi Hu RPEQ 13885 2014.11.26 16:30:37+10'00'	Bala Balakumar RPEQ 3963 2014.11.27 08:40:27+10'00'

**BRISBANE CITY COUNCIL STANDARD DRAWING**

SCALE 1:25	
DWG No. <b>BSD-10146</b>	
ORIGINAL SIZE A3	REVISION B

ISSUE	AMENDMENT	DRAWN DATE	CHK'D DATE	APPR'D DATE
B	Drawing Title Amended	FEB '16	JUL '16	JUL '16
A	ORIGINAL ISSUE	NOV '14	NOV '14	NOV '14

DRAWING AUTHORISED FOR PUBLICATION  
 Ingo Condrlic  
 2015.06.04 15:29:38+10'00'  
 prof ASSET ENGINEERING MANAGER  
 STRATEGIC ASSET MANAGEMENT  
 DESIGN APPROVED  
 C.Wood  
 SENIOR CO-ORDINATOR NATURAL ENVIRONMENT  
 ASSET SERVICES/BRISBANE INFRASTRUCTURE

DESIGN	CPO - P&D	DATE	NOV '14
DRAWN	CPO - P&D	DATE	NOV '14
CHECKED	BI - FSG - AS	DATE	NOV '14
DRAWING FILENAME	BSD-10146 (B) Sign shelter - Natural area - Plan - Sheet 2 of 3.dwg		
ASSOCIATED PLANS	BSD-10146-Sheets 1 & 3		

