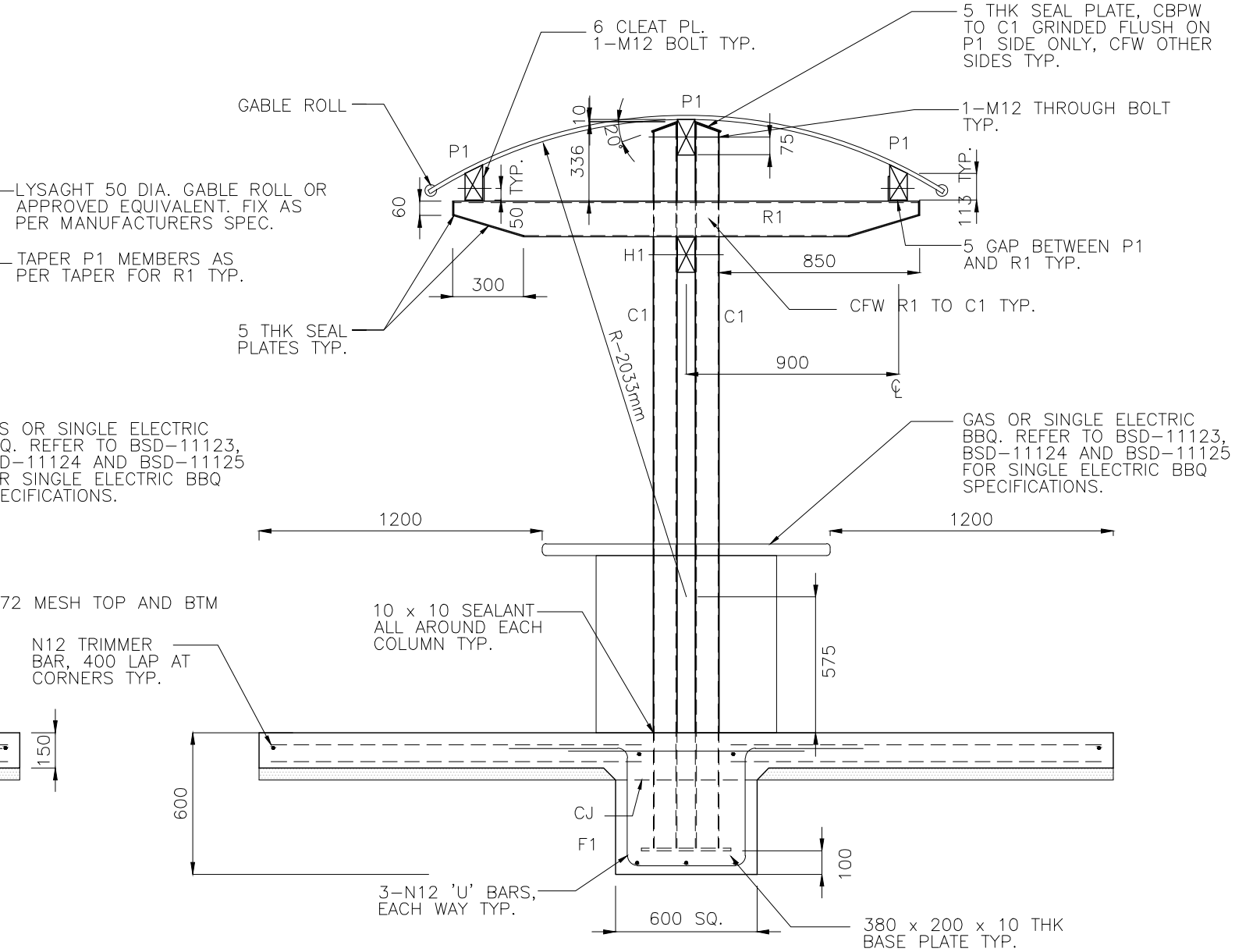


ELEVATION A  
SCALE 1:25



SECTION B  
SCALE 1:25

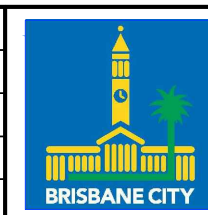
NOTES

- REFER TO:
- BSD-10147-BARBEQUE SHELTER-NATURAL AREA-SHEET 1 OF 3-GENERAL NOTES
  - BSD-10147-BARBEQUE SHELTER-NATURAL AREA-SHEET 2 OF 3-PLAN

STRUCTURAL DESIGN CERTIFICATION		
DESIGN	DESIGN CHECK	AUTHORISED FOR ISSUE
D. Bateup RPEQ 13095 2014.11.26 16:21:18+10'00'	Zhuangzhi Hu RPEQ 13885 2014.11.26 16:32:16+10'00'	Bala Balakumar RPEQ 3963 2014.11.27 08:42:33+10'00'
BRISBANE CITY COUNCIL STANDARD DRAWING		
BARBEQUE SHELTER - NATURAL AREA - ELEVATION AND SECTION		SCALE AS SHOWN
SHEET 3 OF 3		DWG No. BSD-10147
ORIGINAL SIZE	REVISION	
A3	B	

ISSUE	AMENDMENT	DRAWN DATE	CHK'D DATE	APPR'D DATE
B	Drawing Title Amended	FEB '16	JUL '16	JUL '16
A	ORIGINAL ISSUE	NOV '14	NOV '14	NOV '14

DRAWING AUTHORISED FOR PUBLICATION			
DESIGN	CPO - P&D	DATE	NOV '14
DRAWN	CPO - P&D	DATE	NOV '14
CHECKED	BI - FSG - AS	DATE	NOV '14
DRAWING FILENAME	BSD-10147 (B) Barbeque shelter - Natural area - Elevation and section - Sheet 3 of 3.dwg		
ASSOCIATED PLANS	BSD-10147-Sheets 1 & 2		



C. Wood  
SENIOR CO-ORDINATOR NATURAL ENVIRONMENT ASSET SERVICES/BRISBANE INFRASTRUCTURE