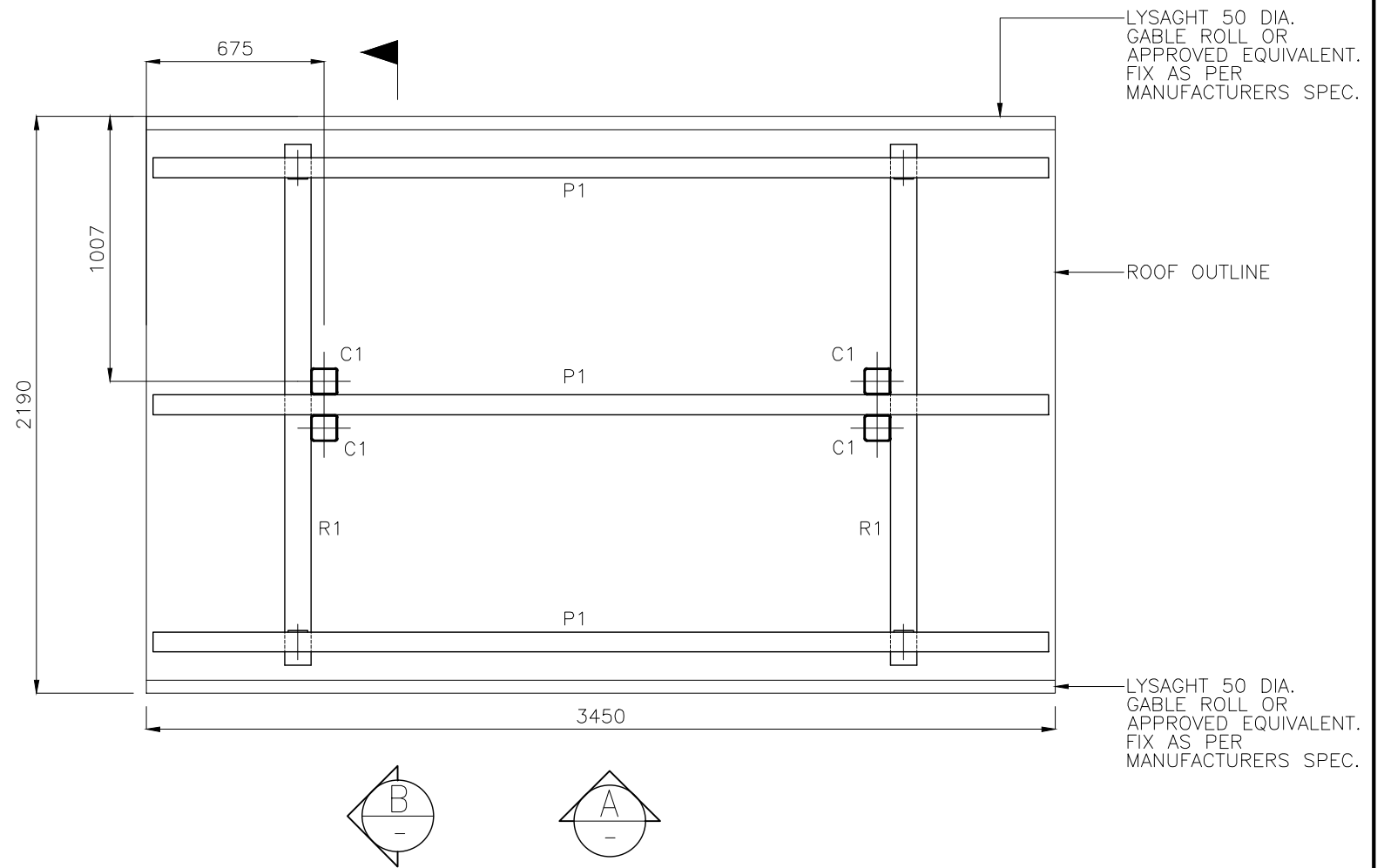


SLAB AND FOOTING PLAN
SCALE 1:50



ROOF FRAMING PLAN
SCALE 1:50

MEMBER SCHEDULE	
MARK	MEMBER
C1	100 x 4 SHS COLUMN
H1	150 x 75 F17 HWD HEADER
P1	150 x 75 F17 HWD PURLIN
R1	152 x 76 x 5 RHS RAFTER

NOTES

- REFER TO:
- BSD-10147-BARBEQUE SHELTER-NATURAL AREA-SHEET 1 OF 3-GENERAL NOTES
 - BSD-10147-BARBEQUE SHELTER-NATURAL AREA-SHEET 3 OF 3-ELEVATION AND SECTION

STRUCTURAL DESIGN CERTIFICATION		
DESIGN	DESIGN CHECK	AUTHORISED FOR ISSUE
D. Bateup RPEQ 13095 2014.11.26 16:20:44+10'00'	Zhuangzhi Hu RPEQ 13885 2014.11.26 16:31:51+10'00'	Bala Balakumar RPEQ 3963 2014.11.27 08:42:01+10'00'
BRISBANE CITY COUNCIL STANDARD DRAWING		
BARBEQUE SHELTER - NATURAL AREA - PLAN SHEET 2 OF 3		SCALE AS SHOWN DWG No BSD-10147 ORIGINAL SIZE A3 REVISION B

ISSUE	AMENDMENT	DRAWN DATE	CHK'D DATE	APPR'D DATE
B	Drawing Title Amended	FEB '16	JUL '16	JUL '16
A	ORIGINAL ISSUE	NOV '14	NOV '14	NOV '14

DRAWING AUTHORISED FOR PUBLICATION
Ingo Condric
2015.06.04 15:31:41+10'00'
per ASSET ENGINEERING MANAGER
STRATEGIC ASSET MANAGEMENT
DESIGN APPROVED
C.Wood
SENIOR CO-ORDINATOR NATURAL ENVIRONMENT
ASSET SERVICES/BRISBANE INFRASTRUCTURE

DESIGN	CP0 - P&D	DATE	NOV '14
DRAWN	CP0 - P&D	DATE	NOV '14
CHECKED	BI - FSG - AS	DATE	NOV '14
DRAWING FILENAME	BSD-10147 (B) Barbeque shelter - Natural area - Plan - Sheet 2 of 3.dwg		
ASSOCIATED PLANS	BSD-10147-Sheets 1 & 3		

