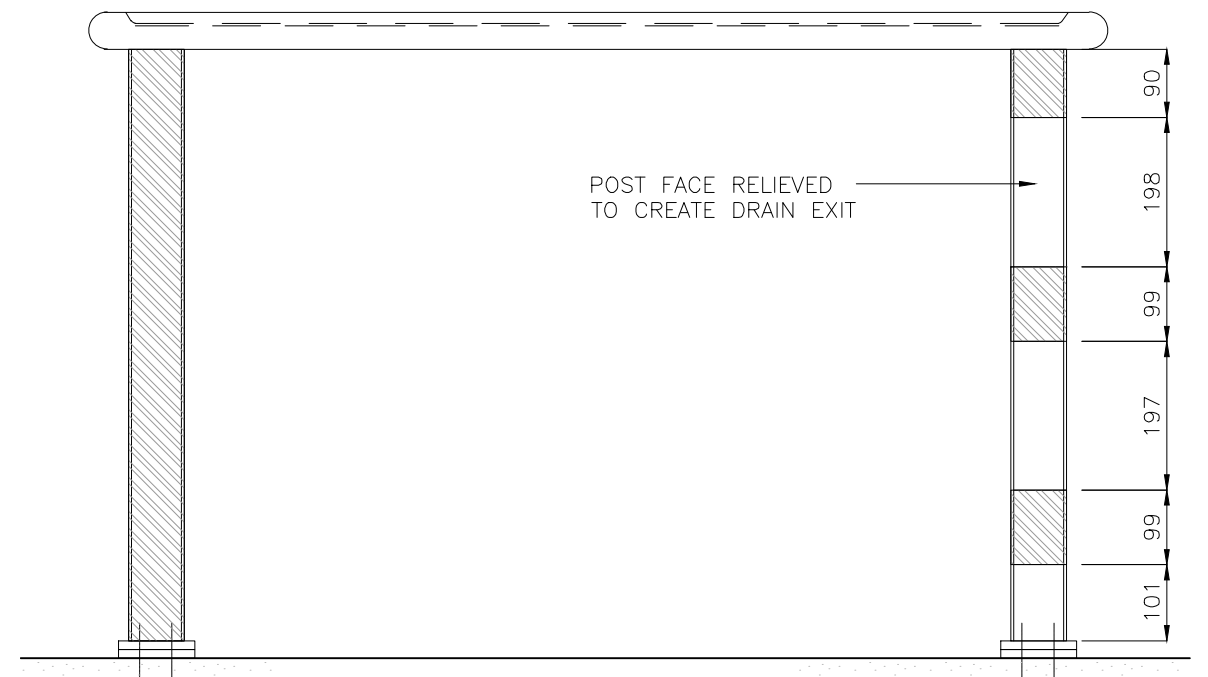
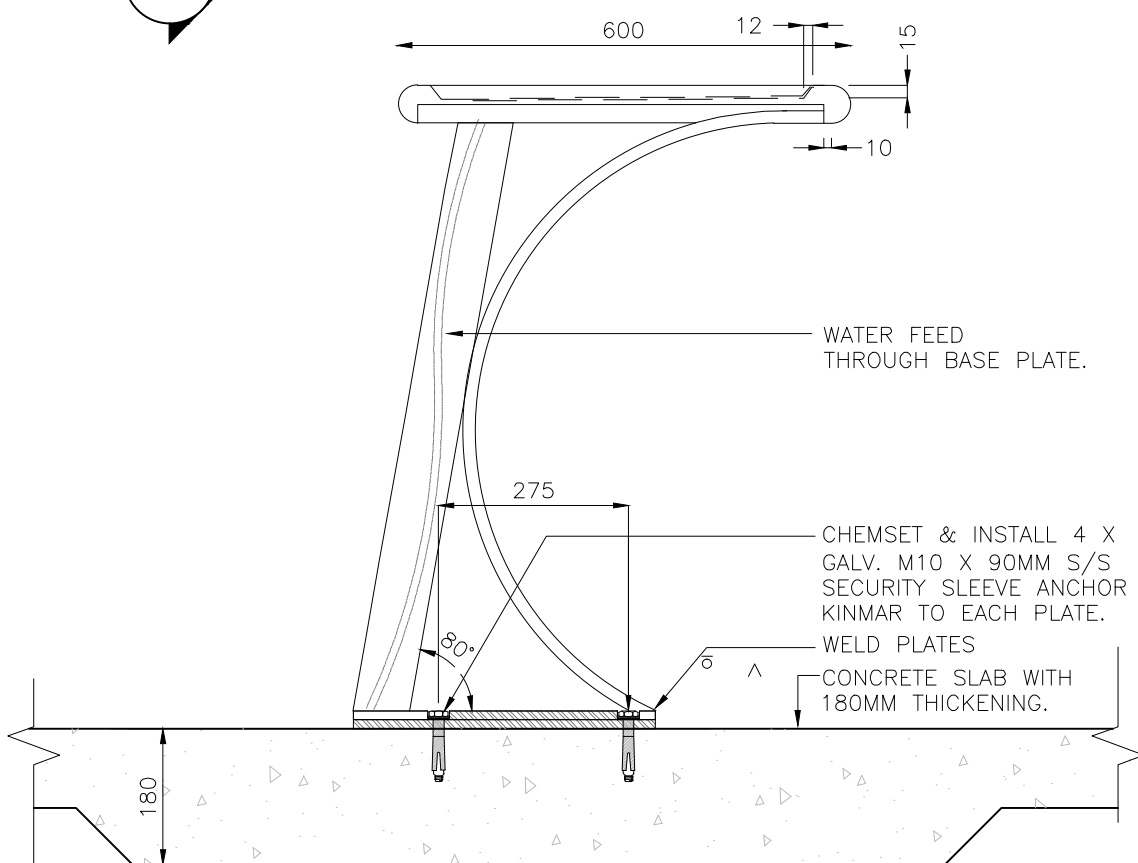


SMALL ACCESS HATCH TO INSIDE FACE OF RIGHT LEG, ACCESS TO CONNECT WATER FEED.

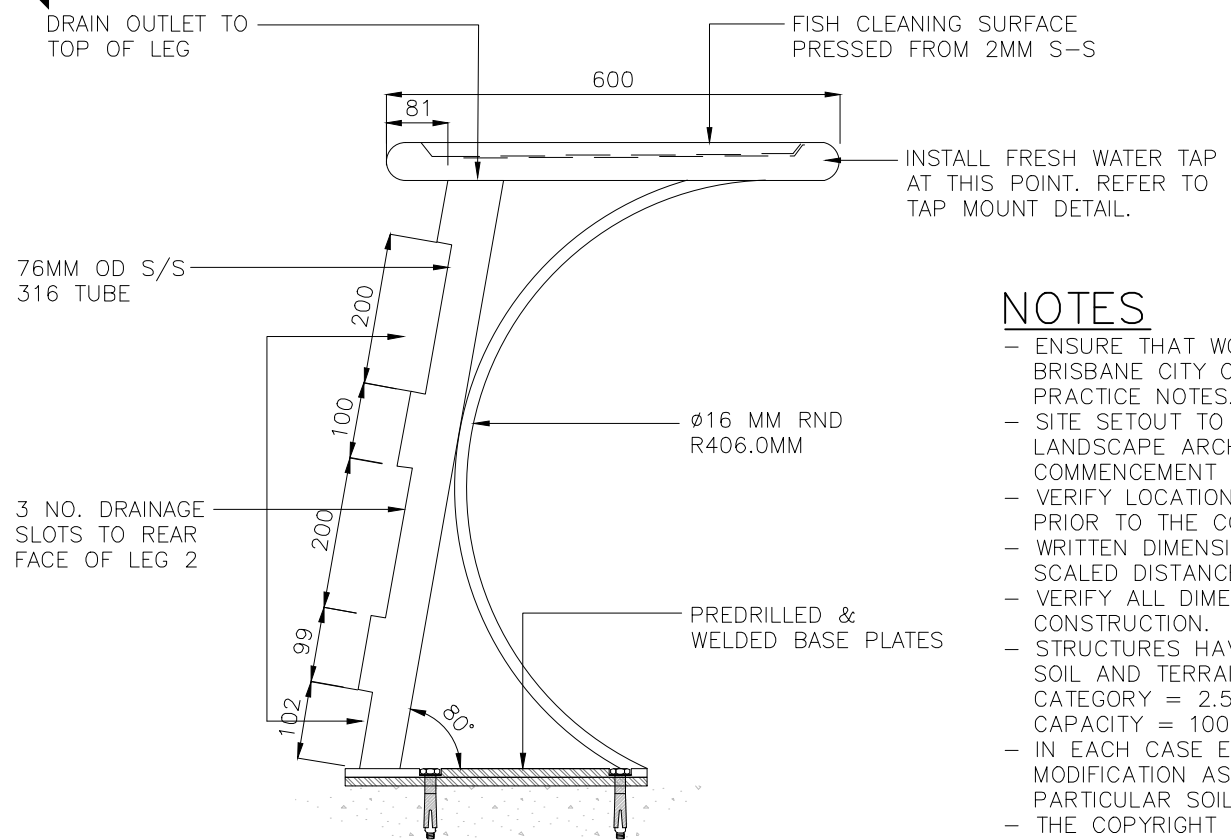
**FRONT VIEW**  
SCALE 1:10



**REAR VIEW**  
SCALE 1:10



**SECTION 01**  
SCALE 1:10



**SECTION 02**  
SCALE 1:10

**NOTES**

- ENSURE THAT WORK IS IN ACCORDANCE WITH BRISBANE CITY COUNCIL ENVIRONMENTAL BEST PRACTICE NOTES.
- SITE SETOUT TO BE VERIFIED BY SUPERINTENDENT OR LANDSCAPE ARCHITECT PRIOR TO THE COMMENCEMENT OF CONSTRUCTION WORKS.
- VERIFY LOCATION OF ALL SERVICES AND EASEMENTS PRIOR TO THE COMMENCEMENT OF WORKS.
- WRITTEN DIMENSIONS TAKE PRECEDENCE OVER SCALED DISTANCES.
- VERIFY ALL DIMENSIONS ON SITE PRIOR TO CONSTRUCTION.
- STRUCTURES HAVE BEEN DESIGNED FOR STANDARD SOIL AND TERRAIN CATEGORY CONDITIONS. TERRAIN CATEGORY = 2.5 AND MINIMUM ALLOWABLE BEARING CAPACITY = 100KPA.
- IN EACH CASE ENGINEERING CERTIFICATION AND MODIFICATION AS NECESSARY WILL BE REQUIRED FOR PARTICULAR SOIL AND SITE CONDITIONS.
- THE COPYRIGHT OF THIS DRAWING REMAINS THE PROPERTY OF THE BRISBANE CITY COUNCIL.
- REFER TO B.05 FOR GENERAL STRUCTURAL NOTES.

ISSUE	AMENDMENT	DRAWN DATE	CHK'D DATE	APPR'D DATE
B	Drawing Title Amended	FEB '16	JUL '16	JUL '16
A	ORIGINAL ISSUE	DEC '14	DEC '14	DEC '14

DRAWING AUTHORISED FOR PUBLICATION

Inga Condric  
2015.06.04 15:33:05+10'00'

for ASSET ENGINEERING MANAGER  
STRATEGIC ASSET MANAGEMENT

DESIGN APPROVED

C.Wood  
SENIOR CO-ORDINATOR NATURAL ENVIRONMENT  
ASSET SERVICES/BRISBANE INFRASTRUCTURE

DESIGN	DATE
CPO - P&D	DEC '14
DRAWN	DATE
CPO - P&D	DEC '14
CHECKED	DATE
BI - FSG - AS	DEC '14
DRAWING FILENAME	BSD-10262 (B) Fish cleaning table - Notes and elevations - Sheet 1 of 2.dwg
ASSOCIATED PLANS	BSD-10262-Sheet 2



**BRISBANE CITY COUNCIL STANDARD DRAWING**

**FISH CLEANING TABLE – NOTES AND ELEVATIONS**  
**SHEET 1 OF 2**

SCALE AS SHOWN

DWG No. **BSD-10262**

ORIGINAL SIZE A3 REVISION B