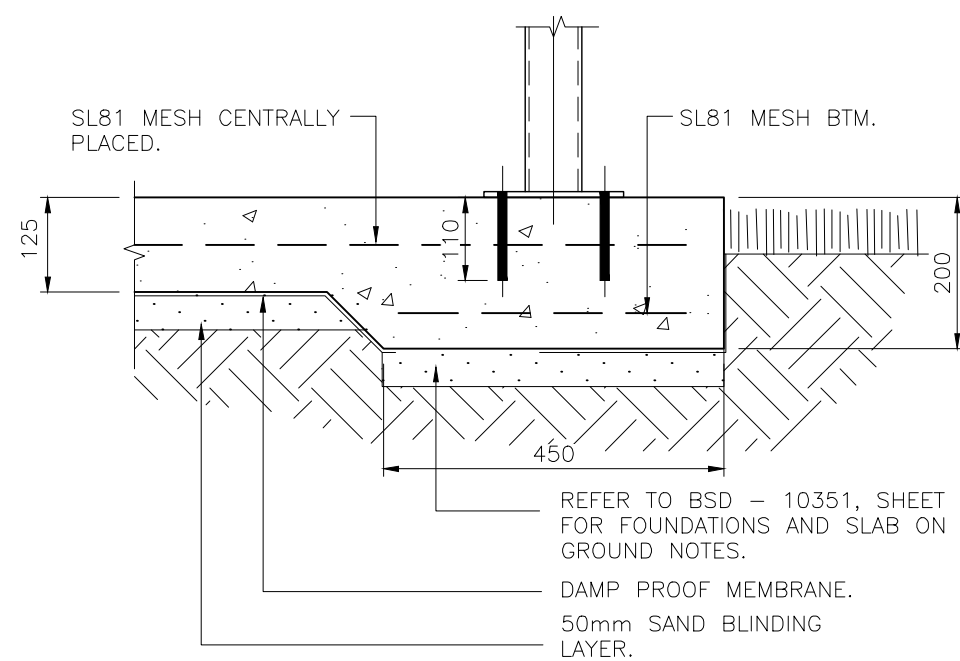


TYPICAL SLAB EDGE THICKENING DETAIL

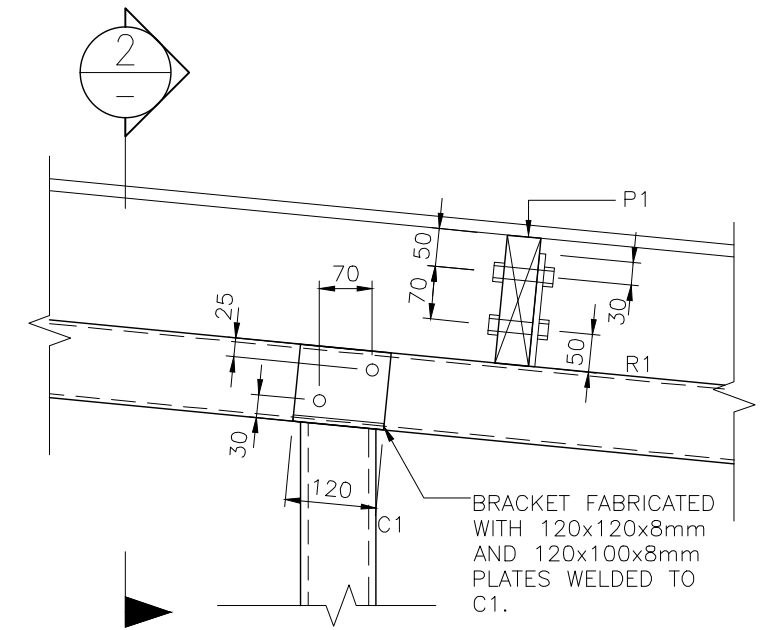
SCALE: 1:10



SLAB EDGE THICKENING DETAIL WHERE SEAT IS TO BE INSTALLED ON CONCRETE SLAB

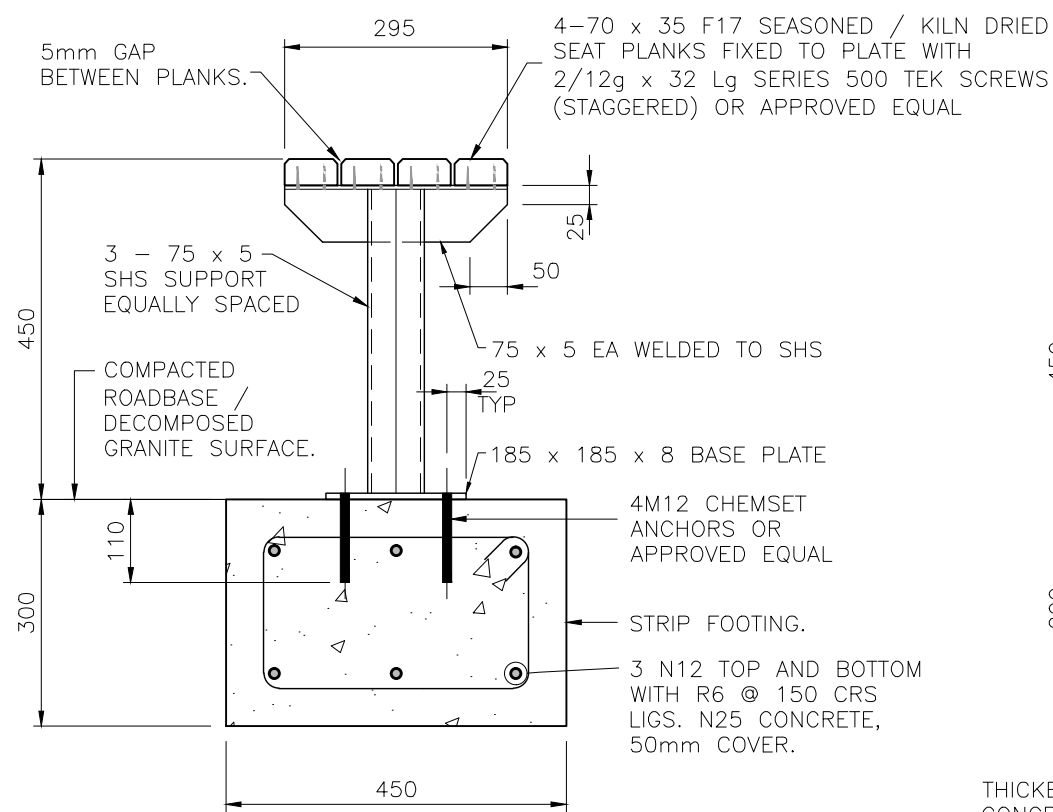
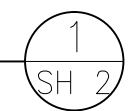
SECTION 3

SCALE 1:10



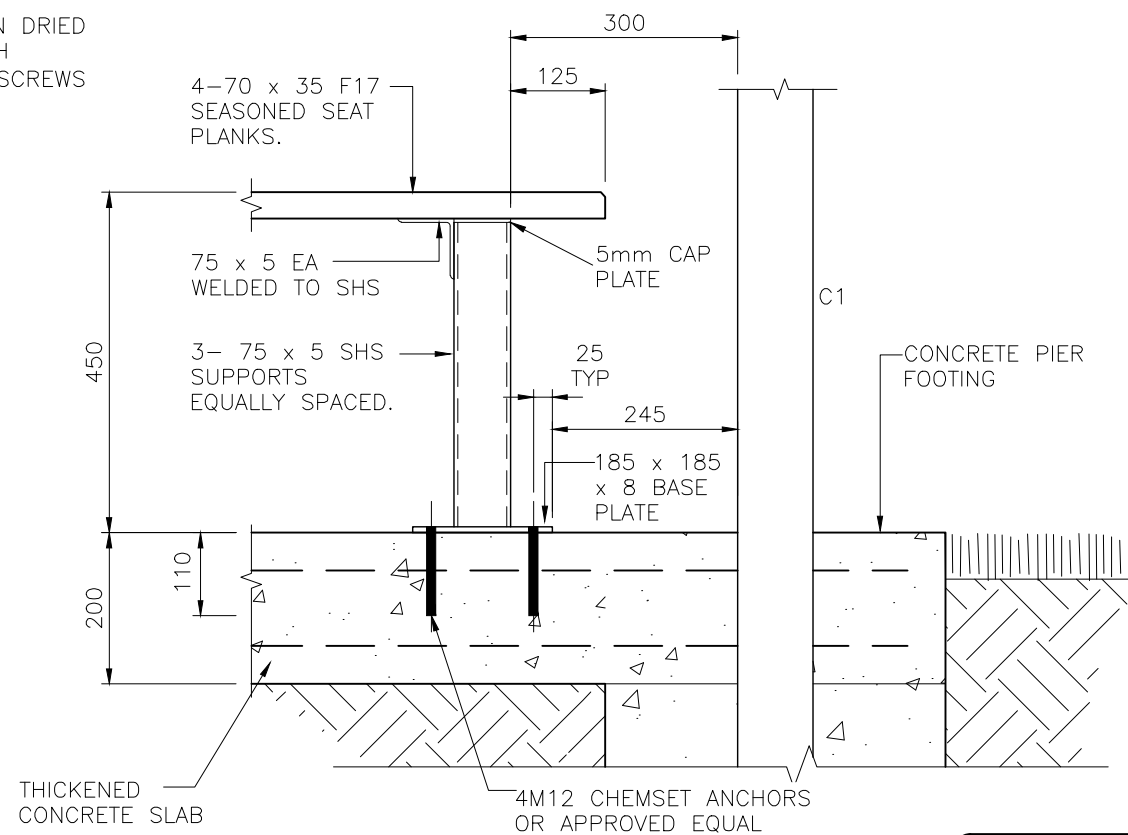
DETAIL

SCALE 1:10



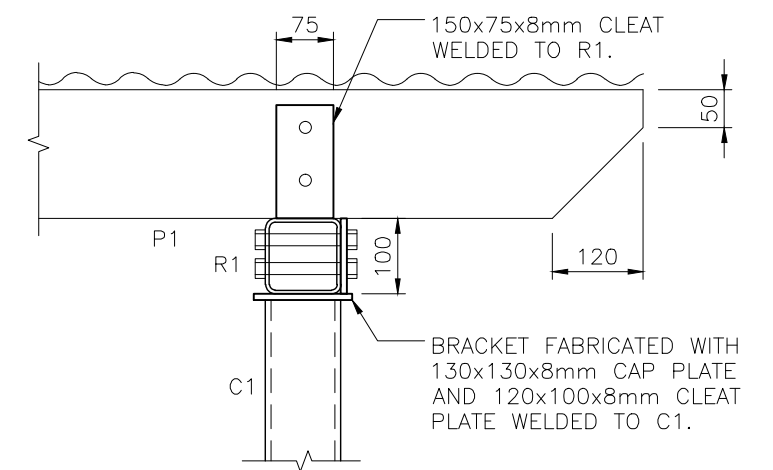
SEATING WHERE ON COMPACTED ROADBASE/DECOMPOSED GRANITE

SCALE: 1:10



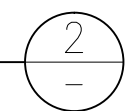
SEATING ON CONCRETE SLAB

SCALE: 1:10



SECTION 2

SCALE 1:10



STRUCTURAL DESIGN CERTIFICATION

DESIGN	DESIGN CHECK	AUTHORISED FOR ISSUE
Lenita Mendis RPEQ:8950 2014.12.10 16:35:00+10'00'	R.Hu (RPEQ No 13885)	Bala Balakumar RPEQ 3963 2014.12.11 09:03:25+10'00'

BRISBANE CITY COUNCIL STANDARD DRAWING

SCALE AS SHOWN	
DWG No. BSD-10352	
ORIGINAL SIZE A3	REVISION B

B	Drawing Title Amended	FEB '16	JUL '16	JUL '16
A	ORIGINAL ISSUE	DEC '14	DEC '14	DEC '14
ISSUE	AMENDMENT	DRAWN DATE	CHK'D DATE	APPR'D DATE

DRAWING AUTHORISED FOR PUBLICATION			
Inga Condric 2015.06.15 07:11:55+10'00'			
for ASSET ENGINEERING MANAGER STRATEGIC ASSET MANAGEMENT DESIGN APPROVED			
C.Wood SENIOR CO-ORDINATOR NATURAL ENVIRONMENT ASSET SERVICES/BRISBANE INFRASTRUCTURE			
DESIGN	CPO - P&D	DATE	DEC '14
DRAWN	CPO - P&D	DATE	DEC '14
CHECKED	BI - FSG - AS	DATE	DEC '14
DRAWING FILENAME	BSD-10352 (B) Bushfire water supply shelter type 2 - Natural area - Details - Sheet 3 of 3.dwg		
ASSOCIATED PLANS	BSD-10352-Sheets 1 & 2		

