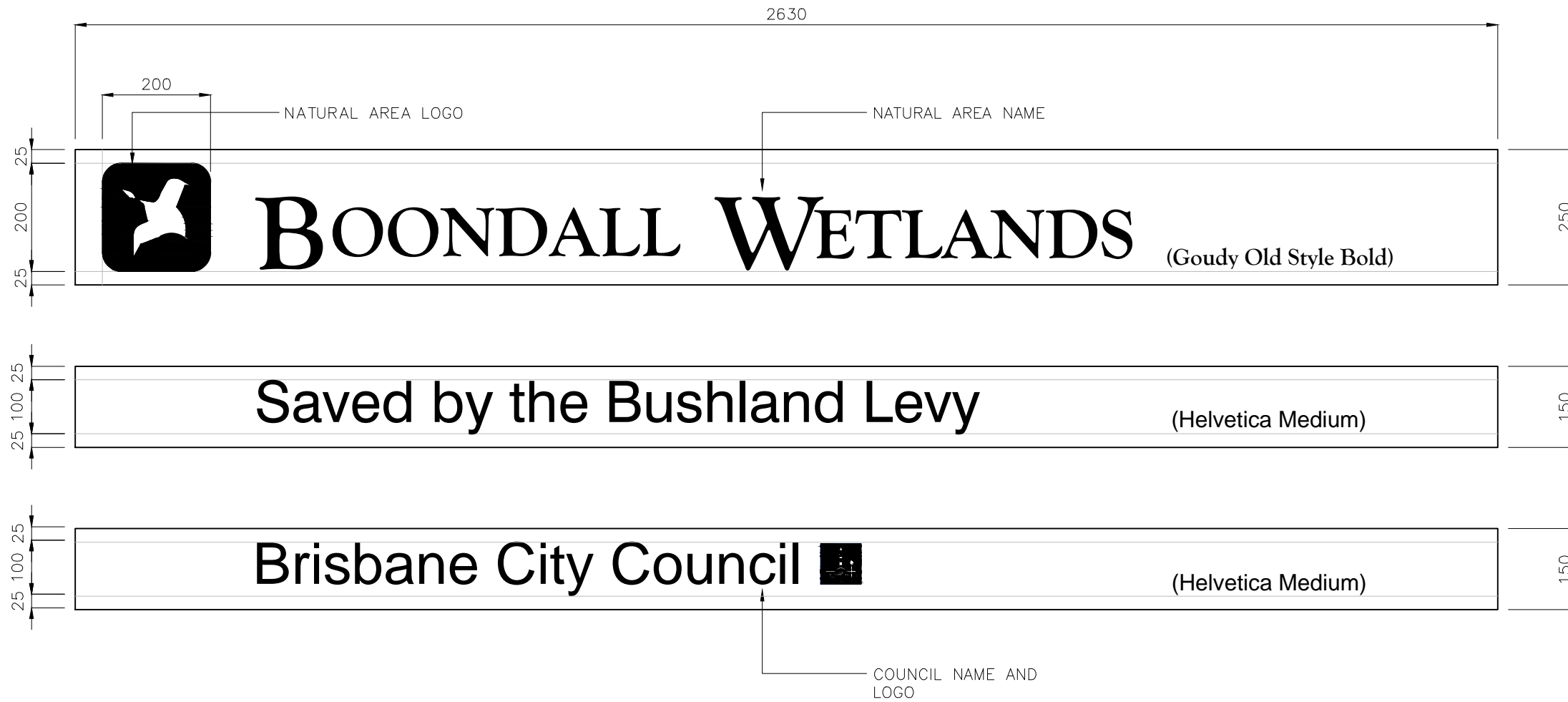


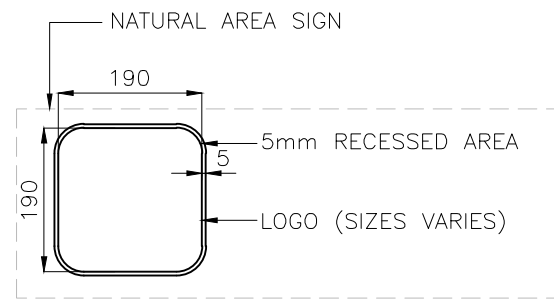
NOTES

FOR SPECIFICATIONS AND PLACEMENT OF SIGN BOARDS WITH NAME LAYOUT ON ENTRY SIGNS AND NAME SIGNS REFER TO:
 - BSD-10511-DESCRIPTIVE SIGN-NATURAL AREA-SHEET 1 OF 3-ENTRY SIGN
 - BSD-10511-DESCRIPTIVE SIGN-NATURAL AREA-SHEET 2 OF 3-NAME SIGN

NATURAL AREA LOGO AND BCC LOGO
 - NATURAL AREA LOGO METAL PLATE AND BCC LOGO METAL PLATE TO HAVE A 5MM WIDE RECESSED BORDER AROUND.



ELEVATION
SCALE 1:10



LOGO RECESS DETAIL
SCALE 1:10

					DRAWING AUTHORISED FOR PUBLICATION				DESIGN		CPO - P&D	DATE	DEC '14	BRISBANE CITY COUNCIL STANDARD DRAWING			
					Inga Condric 2015.06.05 07:48:19+10'00' of ASSET ENGINEERING MANAGER STRATEGIC ASSET MANAGEMENT				DRAWN		CPO - P&D	DATE	DEC '14			SCALE	AS SHOWN
					DESIGN APPROVED				CHECKED		BI - FSG - AS	DATE	DEC '14	DESCRIPTIVE SIGN - NATURAL AREA - SIGN LAYOUT SHEET 3 OF 3			
					C. Wood				DRAWING FILENAME		BSD-10511 (B) Descriptive sign - Natural area - Sign Layout - Sheet 3 of 3.dwg					DWG No.	BSD-10511
ISSUE	AMENDMENT	DRAWN DATE	CHK'D DATE	APPR'D DATE	SENIOR CO-ORDINATOR NATURAL ENVIRONMENT ASSET SERVICES/BRISBANE INFRASTRUCTURE				ASSOCIATED PLANS		BSD-10511-Sheets 1 & 2			ORIGINAL SIZE	A3	REVISION	B

