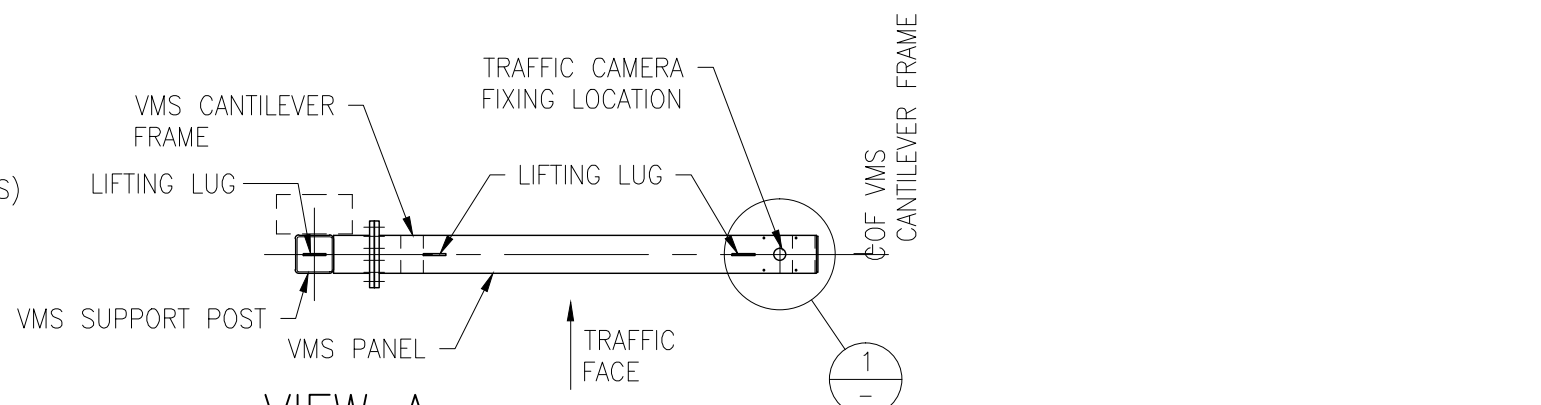


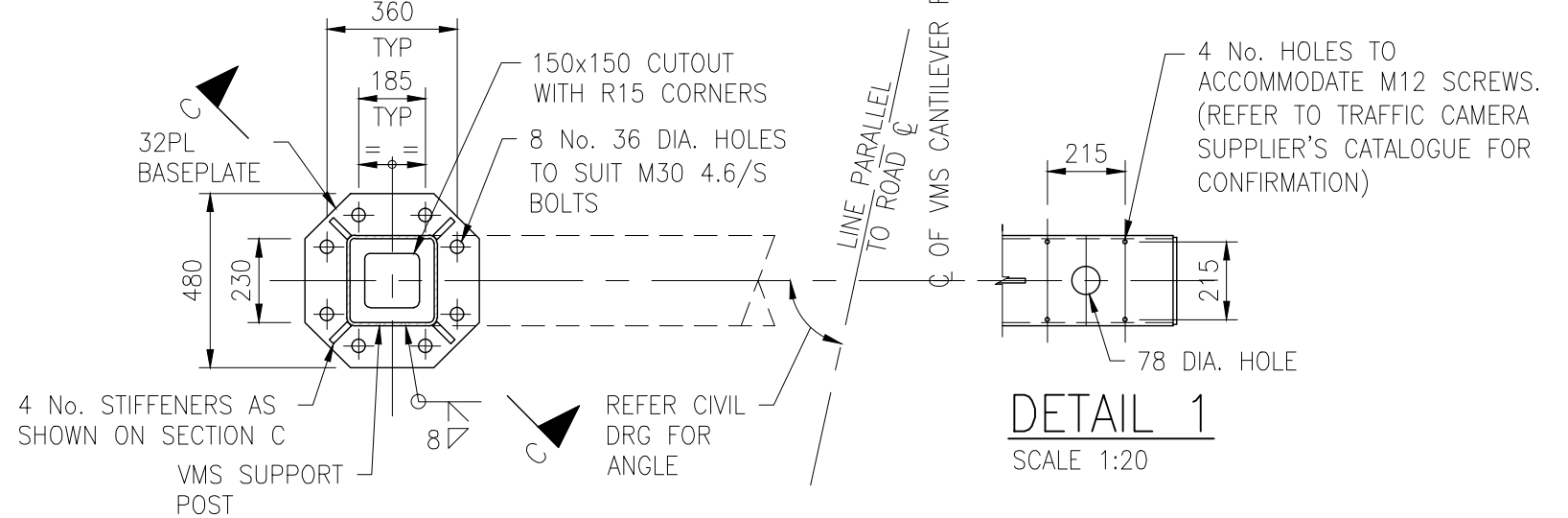
ELEVATION – VMS SUPPORT STRUCTURE

(VIEW FACING SIGN)
SCALE 1:50



VIEW A

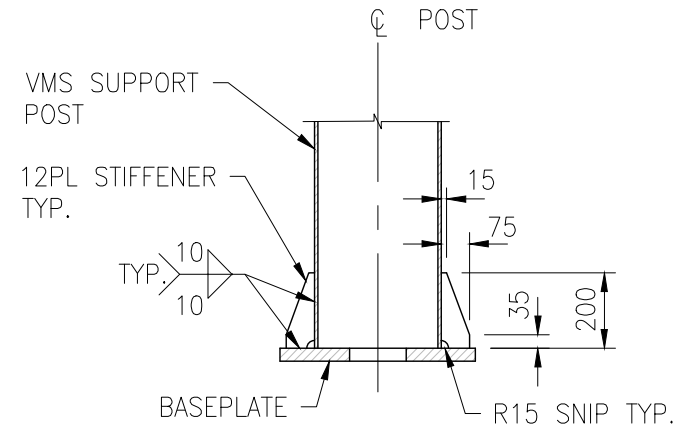
SCALE 1:50



SECTION B

SCALE 1:20

NOTE: ORIENT THE HOLD DOWN BOLT CAGE EXACTLY AS SHOWN ON SECTION B, PRIOR TO CONCRETING THE BORED PILE



SECTION C

SCALE 1:20

DETAIL 1

SCALE 1:20

NOTES

1. VERIFY FRAME DIMENSIONS SHOWN THUS (*) WITH THE VMS SUPPLIER PRIOR TO FABRICATION.
2. FIXING DETAILS OF THE VMS PANEL TO THE FRAME ARE NOT SHOWN ON THESE DRAWINGS. THE FRAME FABRICATOR SHALL LIAISE WITH THE VMS PANEL SUPPLIER AND INCORPORATE PANEL FIXING DETAILS TO THIS FRAME AS REQUIRED.
3. SURFACE RUNOFF NEAR FOOTING SHALL BE DIRECTED AWAY FROM THE FOOTING TO AVOID SATURATION OF SOIL IN THE VICINITY OF THE FOOTING.

STRUCTURAL DESIGN CERTIFICATION

DESIGN Dilan Rowel RPE0:8455 2013.10.29 16:12:58+10'00'	DESIGN CHECK santo.potane@brisbane.qld.gov.au 2013.10.22 16:29:30 +10'00'	AUTHORISED FOR ISSUE bala.balakumar@brisbane.qld.gov.au 2013.10.30 08:30:50 +10'00'
---	---	---

BRISBANE CITY COUNCIL STANDARD DRAWING

<p>VMS SUPPORT STRUCTURE TYPE BCCVA – FRAME ARRANGEMENT</p>		<p>SCALE NOT TO SCALE</p>
<p>SHEET 3 OF 5</p>		<p>DWG No. BSD-4312</p>
<p>ORIGINAL SIZE A3</p>	<p>REVISION C</p>	

ISSUE	AMENDMENT	DRAWN DATE	CHK'D DATE	APPR'D DATE
C	Drawing Title Amended	JAN '16	JUL '16	JUL '16
B	NOTES ADDED TO CLARIFY SETOUT	SEPT '14	SEPT '14	SEPT '14
A	ORIGINAL ISSUE	Oct '13	Oct '13	Oct '13

<p>DRAWING AUTHORISED FOR PUBLICATION Signature on Original Inga Condric Dated 15/04/14</p>				DESIGN	D.R.	DATE	Oct '13
<p>FOR ASSET ENGINEERING MANAGER STRATEGIC ASSET MANAGEMENT</p>				DRAWN	D.M.	DATE	Oct '13
<p>DESIGN APPROVED Eric Bradley Signature on Original Dec 2013</p>				CHECKED	S.P.	DATE	Oct '13
<p>Intelligent Transport Systems Manager</p>				DRAWING FILENAME	BSD-4312 (C) VMS support structure Type BCCVA - frame arrangement - Sheet 3 of 5.dwg		
				ASSOCIATED PLANS	BSD-4311 SHEETS 1, 2, 4 & 5		

