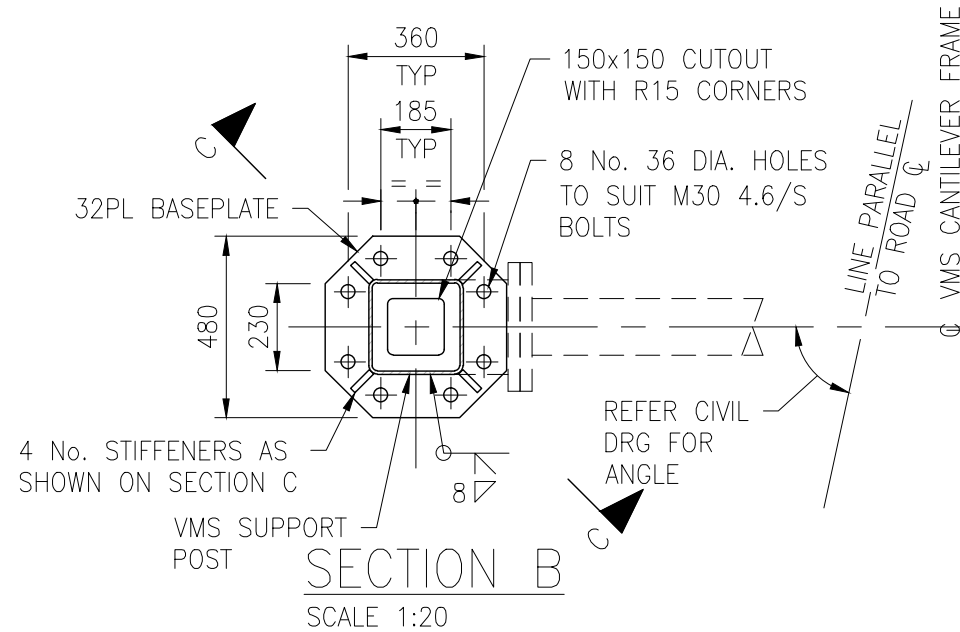
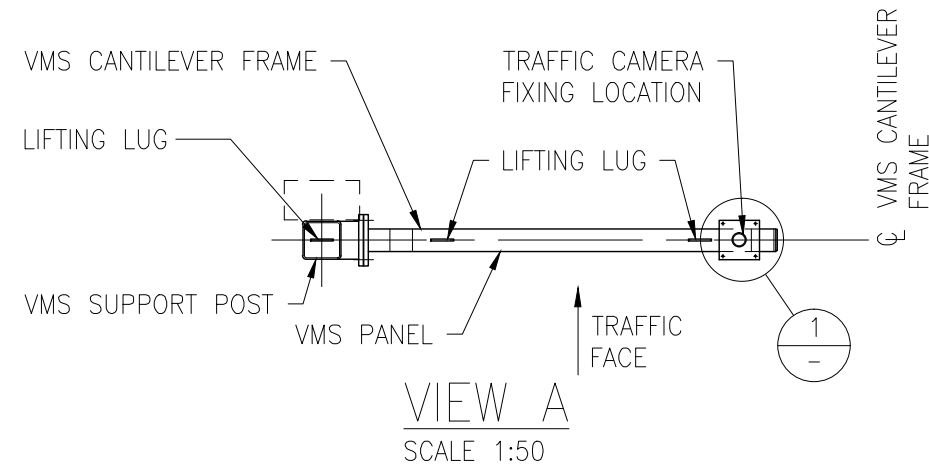
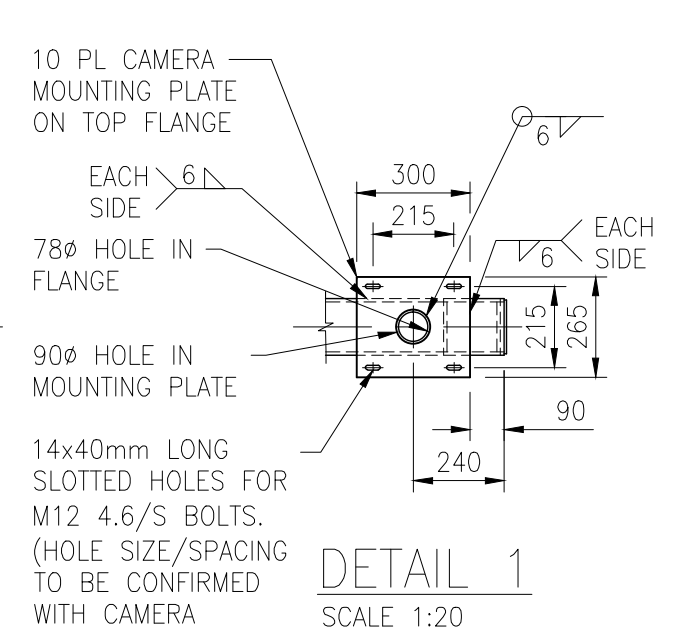
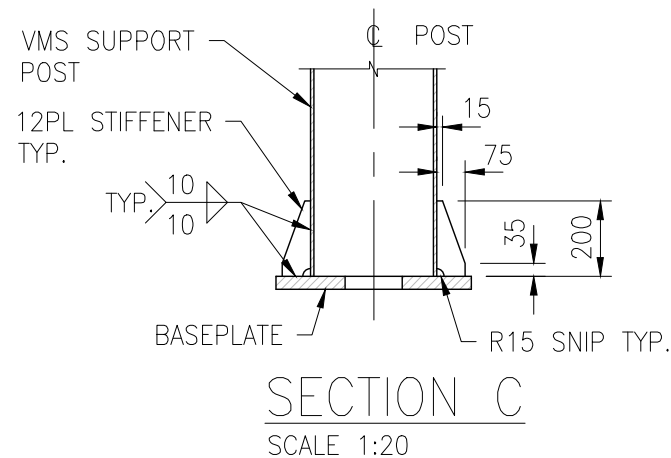


ELEVATION – VMS SUPPORT STRUCTURE
(VIEW FACING SIGN)
SCALE 1:50



NOTE: ORIENT THE HOLD DOWN BOLT CAGE EXACTLY AS SHOWN ON SECTION B, PRIOR TO CONCRETING THE BORED PILE



- NOTES**
1. VERIFY FRAME DIMENSIONS SHOWN THUS (*) WITH THE VMS SUPPLIER PRIOR TO FABRICATION.
 2. FIXING DETAILS OF THE VMS PANEL TO THE FRAME ARE NOT SHOWN ON THESE DRAWINGS. THE FRAME FABRICATOR SHALL LAISE WITH THE VMS PANEL SUPPLIER AND INCORPORATE PANEL FIXING DETAILS TO THIS FRAME AS REQUIRED.
 3. SURFACE RUNOFF NEAR FOOTING SHALL BE DIRECTED AWAY FROM THE FOOTING TO AVOID SATURATION OF SOIL IN THE VICINITY OF THE FOOTING.

STRUCTURAL DESIGN CERTIFICATION		
DESIGN	DESIGN CHECK	AUTHORISED FOR ISSUE
Dilan Rowel RPEQ:8455 2013.11.12 08:46:02 +10'00'	Zhuangzhi Hu RPEQ:13885 2013.11.08 08:51:26 +10'00'	Bala Balakumar RPEQ:3963 2013.11.12 09:25:09 +10'00'
BRISBANE CITY COUNCIL STANDARD DRAWING		
VMS SUPPORT STRUCTURE TYPE BCCVB – FRAME ARRANGEMENT		SCALE NOT TO SCALE
SHEET 3 OF 5		DWG No. BSD-4313
ORIGINAL SIZE A3	REVISION C	

ISSUE	AMENDMENT	DRAWN DATE	CHK'D DATE	APPR'D DATE
C	Drawing Title Amended	JAN '16	JUL '16	JUL '16
B	SETOUT CLARIFIED	SEPT '14	SEPT '14	SEPT '14
A	ORIGINAL ISSUE	Oct '13	Oct '13	Oct '13

DRAWING AUTHORISED FOR PUBLICATION Signature on Original Inga Condric Dated 15/04/14				DESIGN	D.R.	DATE	Oct '13
FOR ASSET ENGINEERING MANAGER STRATEGIC ASSET MANAGEMENT				DRAWN	D.M.	DATE	Oct '13
DESIGN APPROVED Eric Bradley Signature on Original Dec 2013				CHECKED	R.H.	DATE	Oct '13
Intelligent Transport Systems Manager				DRAWING FILENAME	BSD-4313(C) VMS support structure Type BCCVB - Frame arrangement - Sheet 3 of 5.dwg		
				ASSOCIATED PLANS	BSD-4313 SHEETS 1, 2, 4 & 5		

