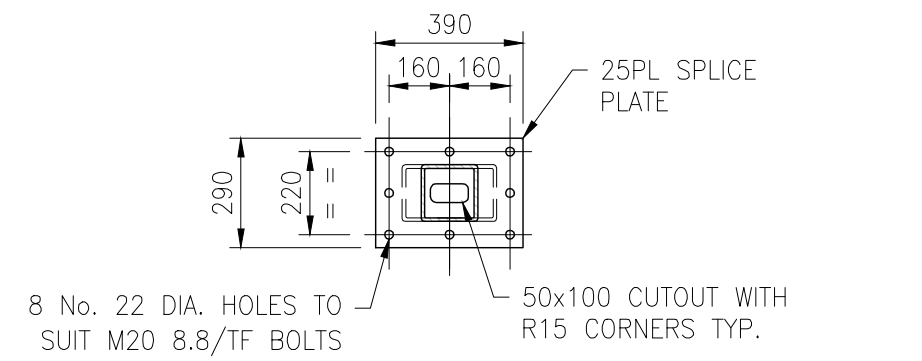
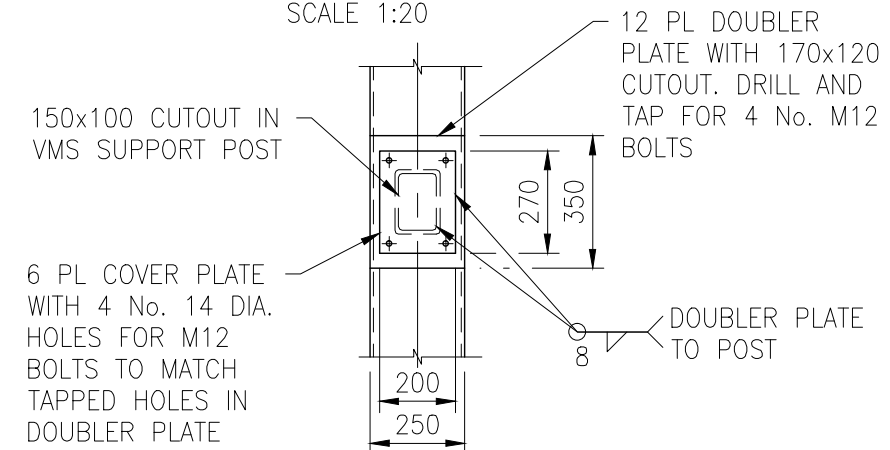


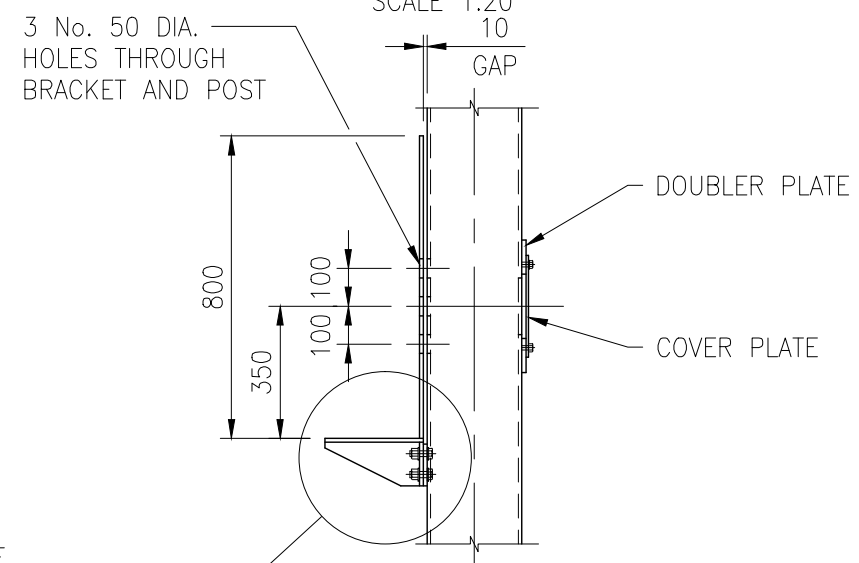
VMS CANTILEVER FRAME DETAIL
SCALE 1:20



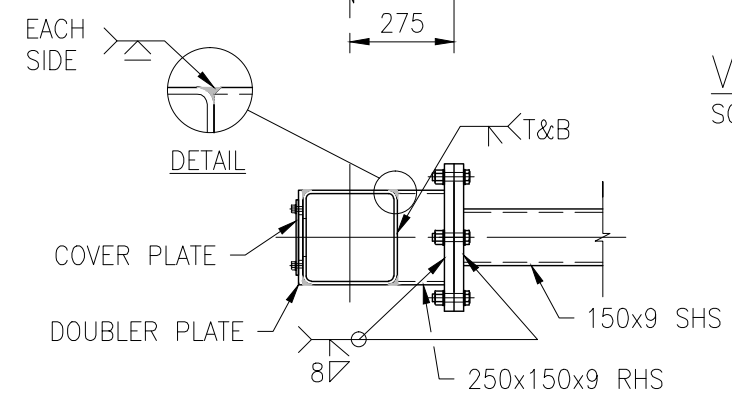
SECTION D
SCALE 1:20



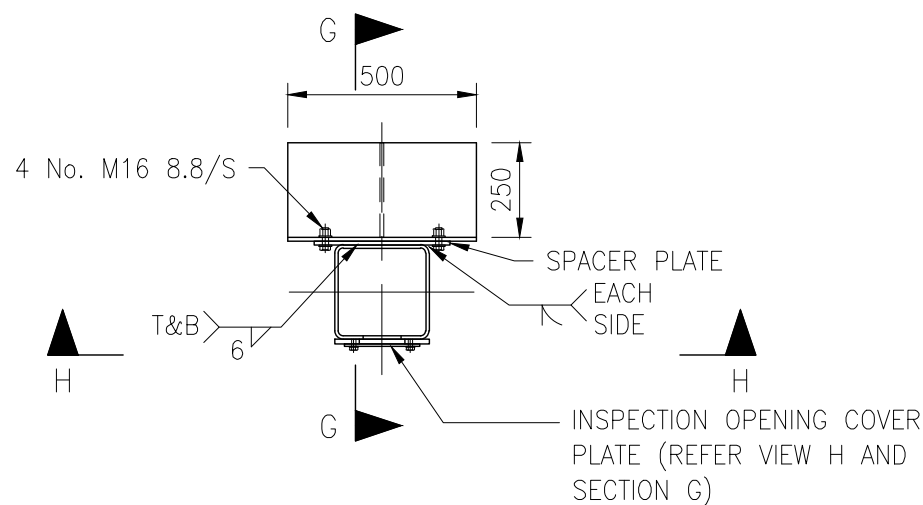
VIEW H
SCALE 1:20



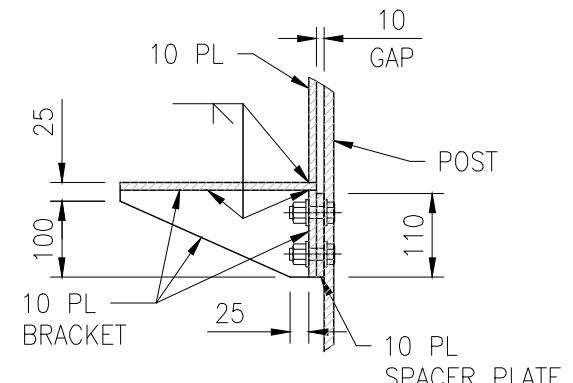
SECTION G
SCALE 1:20



SECTION E
SCALE 1:20



SECTION F
SCALE 1:20
REFER SHEET 3



DETAIL 2
SCALE 1:10

STRUCTURAL DESIGN CERTIFICATION

DESIGN Dilan Rowel RPEQ:8455 2013.11.12 08:46:29 +10'00'	DESIGN CHECK Zhuangzhi Hu RPEQ:13885 2013.11.08 08:51:58 +10'00'	AUTHORISED FOR ISSUE Bala Balakumar RPEQ:3963 2013.11.12 09:25:57 +10'00'
---	---	---

BRISBANE CITY COUNCIL STANDARD DRAWING

SCALE NOT TO SCALE	
DWG No. BSD-4313	
ORIGINAL SIZE A3	REVISION C

C	Drawing Title Amended	JAN '16	JUL '16	JUL '16
B	NOTES AMENDED	SEPT '14	SEPT '14	SEPT '14
A	ORIGINAL ISSUE	Oct '13	Oct '13	Oct '13
ISSUE	AMENDMENT	DRAWN DATE	CHK'D DATE	APPR'D DATE

DRAWING AUTHORISED FOR PUBLICATION Signature on Original Inga Condric Dated 15/04/14				DESIGN	D.R.	DATE	Oct '13
FOR ASSET ENGINEERING MANAGER STRATEGIC ASSET MANAGEMENT				DRAWN	D.M.	DATE	Oct '13
DESIGN APPROVED Eric Bradley Signature on Original Dec 2013				CHECKED	R.H.	DATE	Oct '13
Intelligent Transport Systems Manager				DRAWING FILENAME	BSD-4313 (C) VMS support structure Type BCCVB - Frame details - Sheet 4 of 5.dwg		
				ASSOCIATED PLANS	BSD-4313 SHEETS 1,2, 3 & 5		

