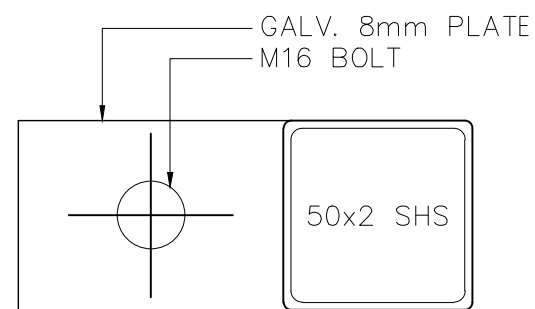
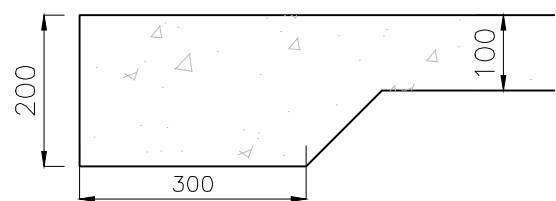


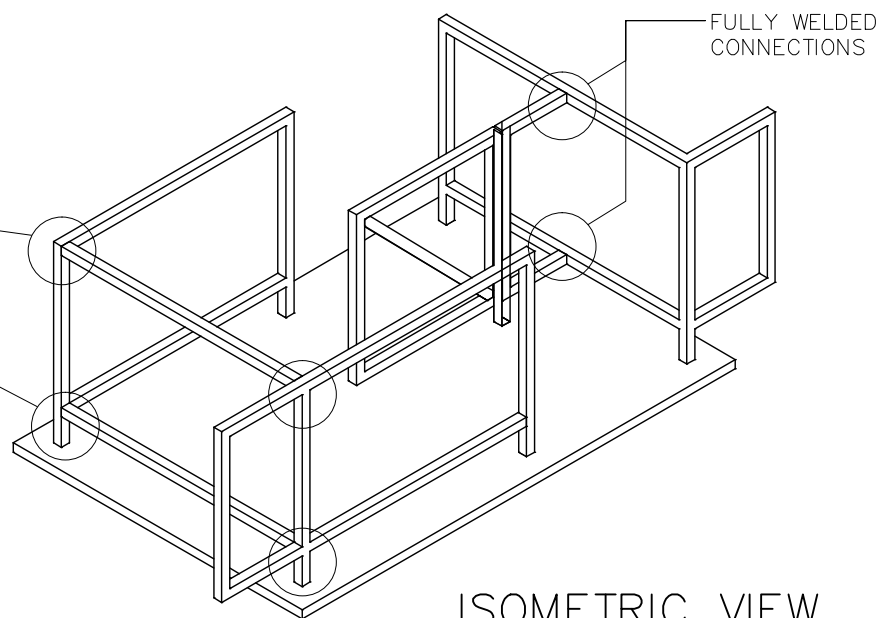
**PLAN VIEW**  
SCALE: 1:20



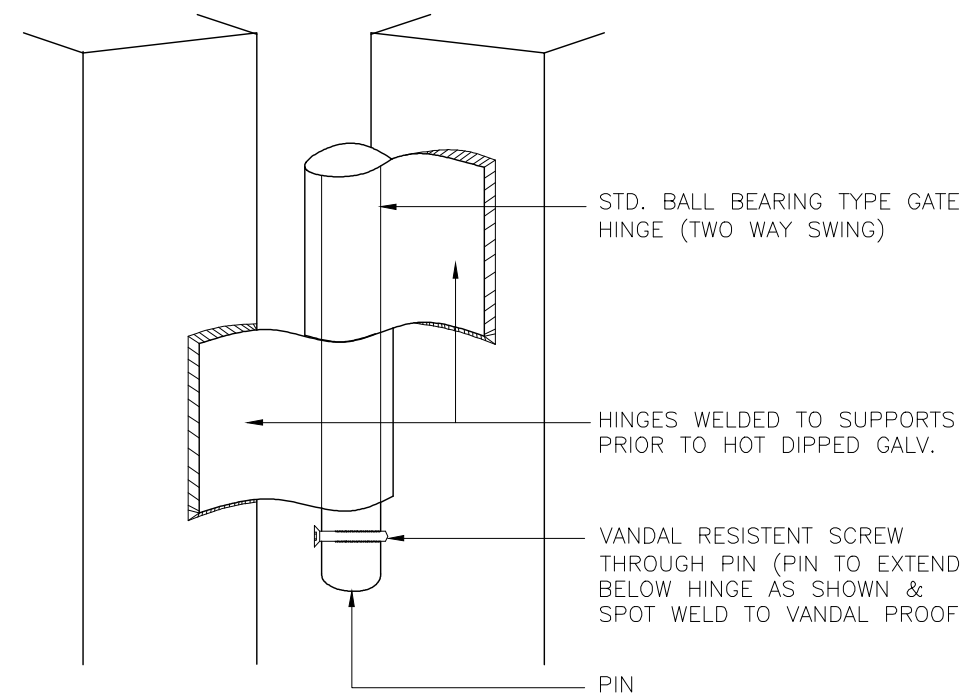
**TYPICAL FIXING PLATE DETAIL**  
SCALE: 1:2



**TYPICAL EDGE THICKENING DETAIL**  
SCALE: 1:10



**ISOMETRIC VIEW**  
SCALE: N.T.S



**TYPICAL GATE HINGE ASSEMBLY**  
SCALE: N.T.S

ISSUE	AMENDMENT	DRAWN DATE	CHK'D DATE	APPR'D DATE
B	Drawing Title Amended	FEB '16	JUL '16	JUL '16
A	ORIGINAL ISSUE	DEC '14	DEC '14	DEC '14

DRAWING AUTHORISED FOR PUBLICATION  
Inga Condric  
2019.06.04 12:01:08+10'00"  
prof ASSET ENGINEERING MANAGER  
STRATEGIC ASSET MANAGEMENT  
DESIGN APPROVED  
C.Wood  
SENIOR CO-ORDINATOR NATURAL ENVIRONMENT  
ASSET SERVICES/BRISBANE INFRASTRUCTURE

DESIGN	CPO - P&D	DATE	DEC '14
DRAWN	CPO - P&D	DATE	DEC '14
CHECKED	BI - FSG - AS	DATE	DEC '14
DRAWING FILENAME	BSD-7033 (BI) Gate - Natural area - Pedestrian entry - Details - Sheet 2 of 3.dwg		
ASSOCIATED PLANS	BSD-7033-Sheets 1 & 3		



**BRISBANE CITY COUNCIL STANDARD DRAWING**

SCALE: AS SHOWN

**GATE - NATURAL AREA - PEDESTRIAN ENTRY - DETAILS**

**SHEET 2 OF 3**

DWG No. **BSD-7033**

ORIGINAL SIZE: A3 REVISION: B