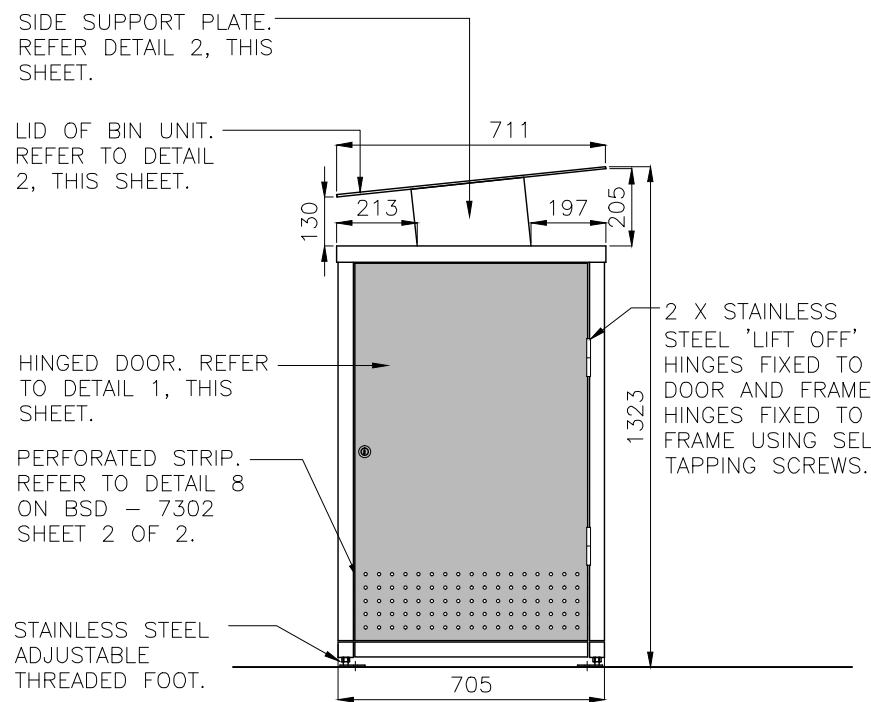
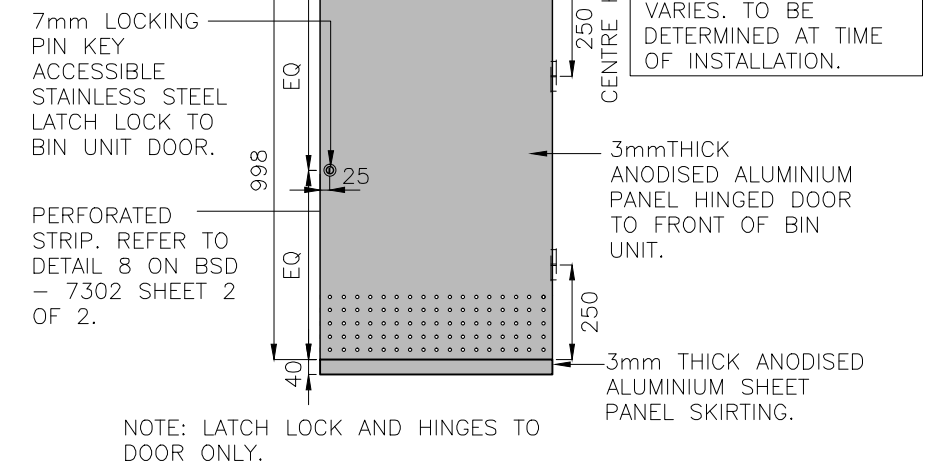
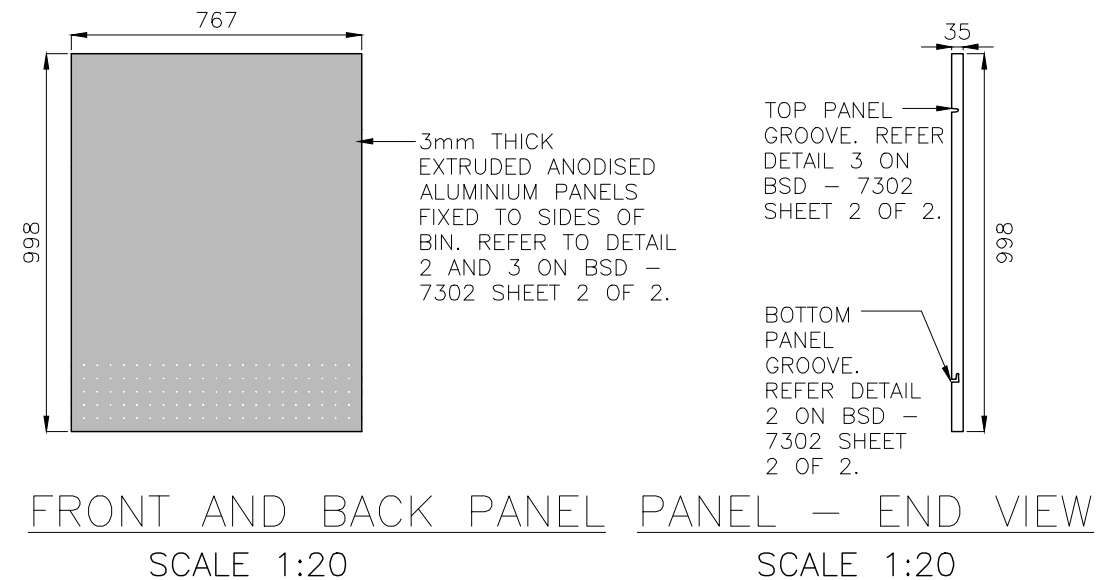


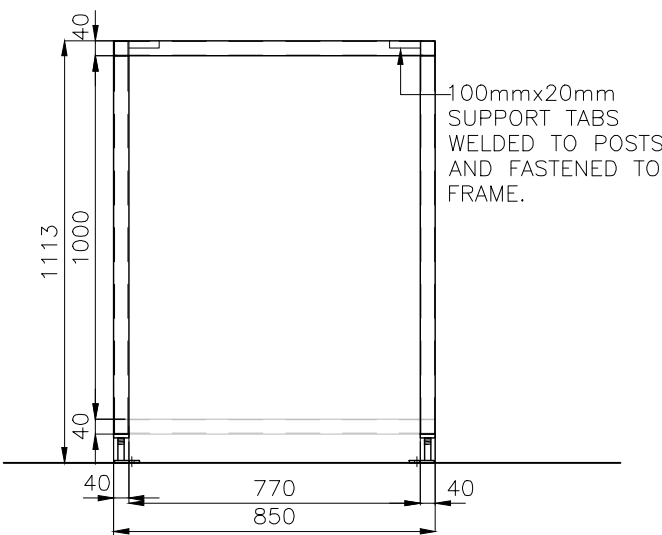
FRONT ELEVATION
SCALE 1:20



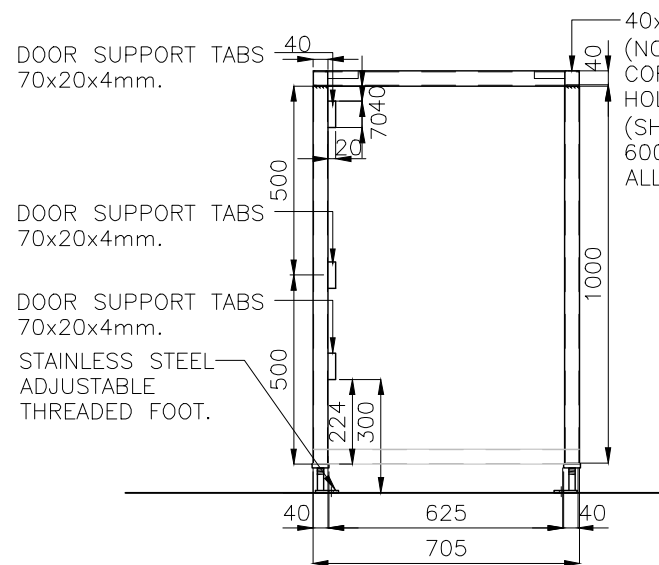
SIDE ELEVATION
SCALE 1:20



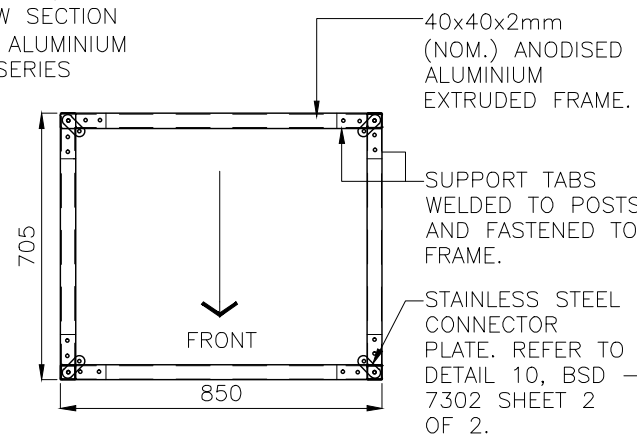
DETAIL 1 - BIN UNIT DOOR/SIDE PANEL
SCALE 1:20



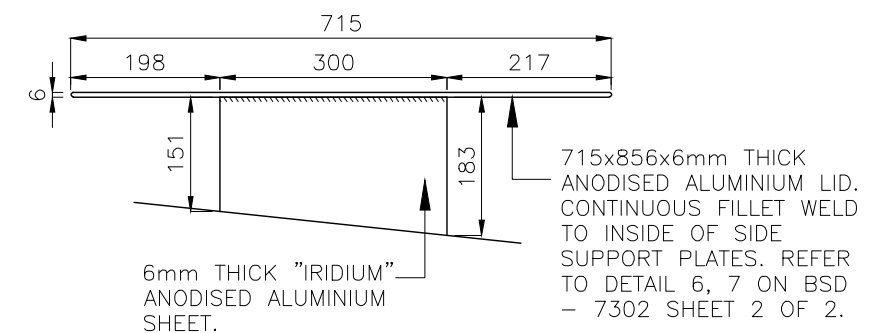
FRAME - FRONT DETAIL
SCALE 1:20



FRAME - SIDE DETAIL
SCALE 1:20



FRAME PANEL
SCALE 1:20



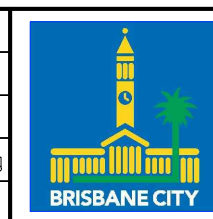
DETAIL 2 - LID AND SUPPORT PLATE
SCALE 1:10

DISCLAIMER:
MANUFACTURED UNDER AUSTRALIAN PATENT NO. 2011100749 WITH PERMISSION OF THE INVENTOR.

NOTES
REFER TO BSD - 7302 SHEET 2 OF 2 FOR FINISHES & COLOUR SCHEDULE AND DETAILS.

ISSUE	AMENDMENT	DRAWN DATE	CHK'D DATE	APPR'D DATE
C	Drawing Title Amended	FEB '16	JUL '16	JUL '16
B	Amendment to Bin Details	MAY '14	MAY '14	MAY '14
A	Drawing Converted From UMS Series May 2014	MAY '14	MAY '14	MAY '14

DRAWING AUTHORISED FOR PUBLICATION			
DESIGN	Std Dwg WG	DATE	MAY '14
DRAWN	CPO - P&D	DATE	MAY '14
CHECKED	BI - FSG - WS	DATE	MAY '14
DRAWING FILENAME	BSD-7302 (C) Anodised - 240L - Alternate Aspect - Bin Unit Design - Sheet 1 of 2.dwg		
ASSOCIATED PLANS			



BRISBANE CITY COUNCIL STANDARD DRAWING	
ANODISED 240L ALTERNATIVE ASPECT - BIN UNIT DESIGN SHEET 1 OF 2	
SCALE	AS SHOWN
DWG No.	BSD-7302
ORIGINAL SIZE	A3
REVISION	C