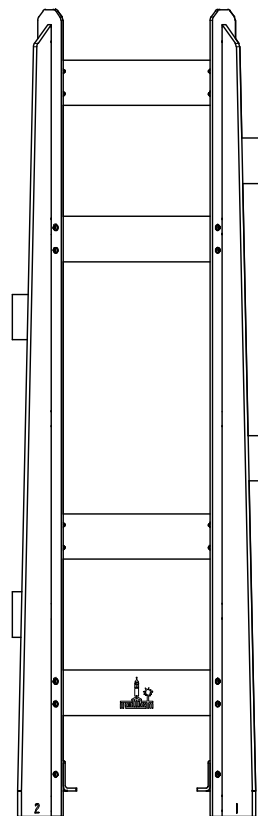
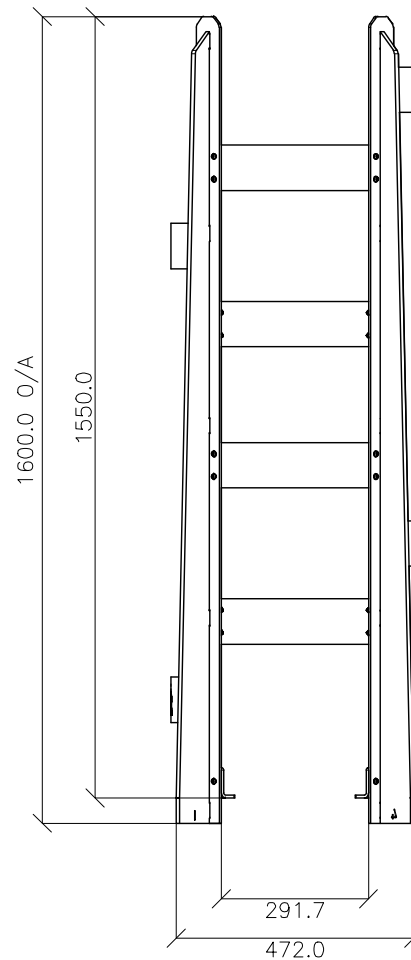


TOP VIEW

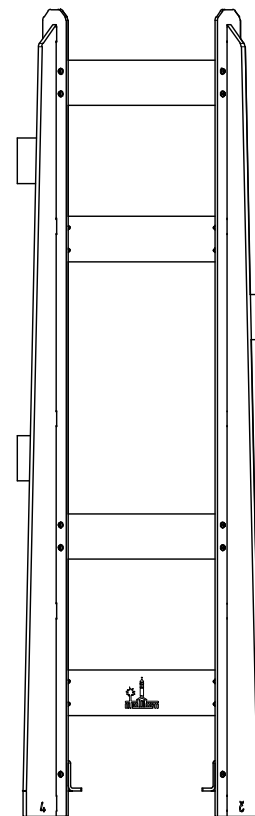
ITEM NO.	DESCRIPTION	QTY.
1	No 1 Upright	1
2	No 2 Upright	1
3	No 3 Upright	1
4	No 4 Upright	1
5	Tree Guard Panel	7
6	Tree Guard Logo Panel	1
7	Tree Guard Bracket	4
8	SS304 M6 x 25mm Torx Security But Head, SS304 M6 Spring Washer, SS304 M6 Hex Nut, SS304 M6 Flat Washer	40
9	M6 304 Stainless Steel Spring Washer	4
10	M6 x 25mm 304 Stainless Steel BUT Head Torx Security Screw	4



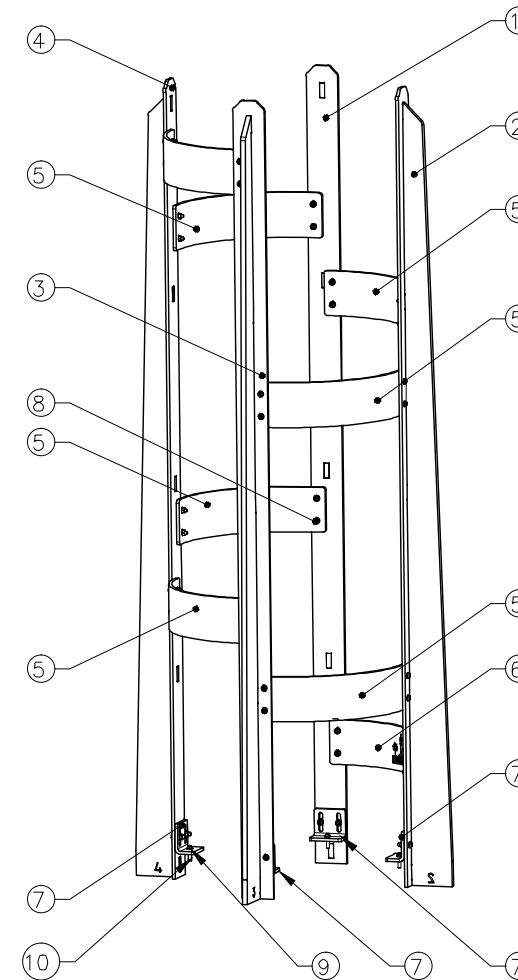
LEFT SIDE VIEW



FRONT VIEW



RIGHT SIDE VIEW



PICTORIAL VIEW

STANDARDS

DESIGNED IN ACCORDANCE WITH, AND FABRICATION TO MEET THE FOLLOWING STANDARDS:

- AS1428.4.1:2009, TACTILE GROUND SURFACE INDICATORS FOR THE ORIENTATION OF PEOPLE WITH VISION IMPAIRMENT.
- AS1627.4 METAL FINISHING – PREPARATION AND PRE-TREATMENT OF SURFACES – ABRASIVE BLAST CLEANING OF STEEL.
- AS2312:2002/AMDT 1:2004, GUIDE TO PROTECTION OF IRON AND STEEL AGAINST EXTERIOR ATMOSPHERIC CORROSION, 1994.
- GUIDE TO ENGINEERING PRACTICE, 'PEDESTRIANS', PART 13, AUSTRROADS. AUSTRALIAN ROAD RULES , 1999, WWW.NRTC.GOV.AU
- AS4506 –2005, METAL FINISHING– THERMOSET POWDER COATINGS.
- AS4680:2006, HOT DIP GALVANISING.
- AS1742.9–2000, MANUAL OF UNIFORM TRAFFIC CONTROL DEVICES, 'BICYCLE FACILITIES'.
- GUIDE TO 'ENGINEERING PRACTICE, 'BICYCLES', PART 14, AUSTRROADS. AUSTRALIAN ROAD RULES , 1999, WWW.NRTC.GOV.AU
- AS2890.3–1993 PARKING FACILITIES PART 3
- AS 1742.9– 2000 MANUAL OF UNIFORM TRAFFIC CONTROL DEVICES PART 9: BIKE FACILITIES

NOTES

- WELDING TO BE ACCORDANCE TO AS1554.1 CAT GP WELDING, ALL SHARP EDGES & BURRS REMOVED.
- PART SHOULD BE SUPPLIED CLEAN AND FREE FROM MARKS, BURRS, SCUFFS, DISTORTION AND WARPAGE.
- ENSURE ANTI-SEIZE IS ON ALL NUTS AND BOLTS PRIOR TO ASSEMBLY.
- DRAWING TO AS1100 DRAWING STANDARDS.
- 316 S.S AND 316 S.S FASTENERS TO BE USED THROUGHOUT FOR COASTAL INSTALLATIONS OR ANY ENVIRONMENT WITH HIGH CORROSION.
- ALL TOLERANCES $\pm 1.5\text{mm}$ UNLESS OTHERWISE SPECIFIED.

MATERIAL

- MATERIAL: SEE COMPONENT DRAWING
- COLOUR: SEE COMPONENT DRAWING
- FINISH: SEE COMPONENT DRAWING

STRUCTURAL DESIGN REVIEWED AND CERTIFIED FOR ISSUE

NAME: B.C. PLANT RPEQ: 8807

SIGNATURE: ON ORIGINAL DATE: 28/6/12

ISSUE	AMENDMENT	DRAWN DATE	CHK'D DATE	APPR'D DATE
B	Drawing Title Amended	FEB '16	JUL '16	JUL '16
A	Drawing Converted From UMS Sereis April 2014	APR'14	APR'14	APR'14

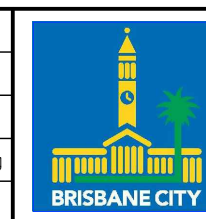
DRAWING AUTHORISED FOR PUBLICATION
INGA CONDRIE AUTHORISED 15/04/2014

FOR ASSET ENGINEERING MANAGER
STRATEGIC ASSET MANAGEMENT
DESIGN APPROVED

VICKI MARTIN SIGNATURE ON ORIGINAL

PRINCIPAL PLANNING OFFICER
URBAN DESIGN

DESIGN	FORMZOO DESIGN	DATE	June '12
DRAWN	AB	DATE	June '12
CHECKED	VM	DATE	04/13
DRAWING FILENAME	BSD-9072 (B) Tree guard - Assembly - Sheet 1 of 8.dwg		
ASSOCIATED PLANS	SUPERSEDES UMS 520 Series		



BRISBANE CITY COUNCIL STANDARD DRAWING

TREE GUARD ASSEMBLY SHEET 1 OF 8

SCALE: 1:15
DWG NO: **BSD-9072**
ORIGINAL SIZE: A3 REVISION: B