



ENHANCED COMMERCIAL LOADING ZONE SIGN
SIGN CODE: CLZ



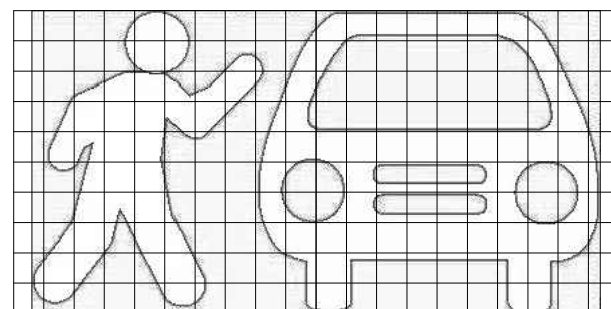
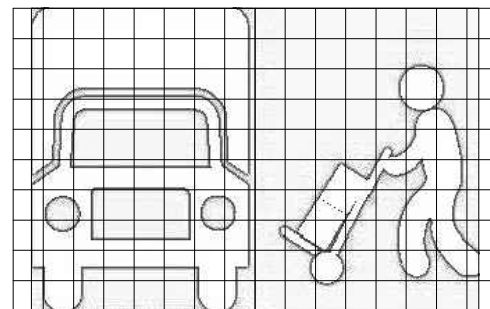
ENHANCED PASSENGER & COMMERCIAL LOADING ZONE SIGN
SIGN CODE: PCLZ

NOTES:

1. ALL SIGN LETTERING TO AS1744.
2. REFER TO BRISBANE CITY COUNCIL REFERENCE SPECIFICATION FOR CIVIL ENGINEERING WORKS S154-TRAFFIC SIGNS AND ROADSIDE FURNITURE FOR SIGN SUBSTRATE MATERIAL AND SHEETING REQUIREMENTS.
3. SIGNS ONLY TO BE USED ON BRISBANE CITY COUNCIL CONTROLLED ROADS AND ARE USED TO COMPLIMENT THE REQUIREMENTS OF AS1742 AND THE QUEENSLAND MANUAL OF UNIFORM TRAFFIC CONTROL DEVICES (MUTCD).
4. REFER BSD-3101 FOR BRISBANE CITY COUNCIL KERBSIDE ALLOCATION SIGN CODES
5. ALL DIMENSIONS IN MILLIMETRES (U.N.O.).

LEGEND:

- BLUE BACKGROUND - PANTONE 2728 C OR EQUIVALENT
- WHITE LETTERING AND SYMBOL



BRISBANE CITY COUNCIL STANDARD DRAWING

ENHANCED LOADING ZONE SIGNS
COMMERCIAL AND PASSENGER &
COMMERCIAL LOADING ZONES - SHEET 1 OF 2

PUBLISH DATE		MAR 2021
SCALE		NOT TO SCALE
DRAWING NUMBER		BSD-3114
ORIGINAL SIZE	REVISION	
A3	A	