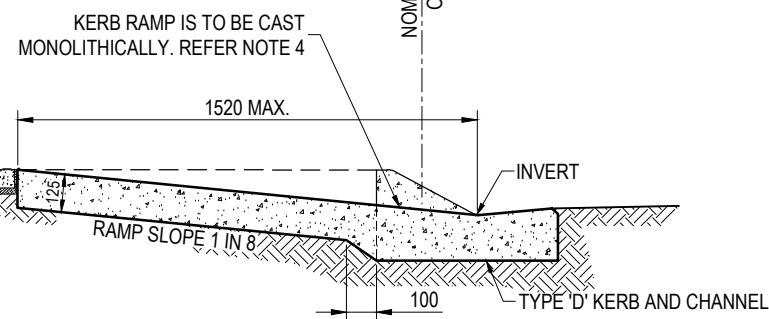
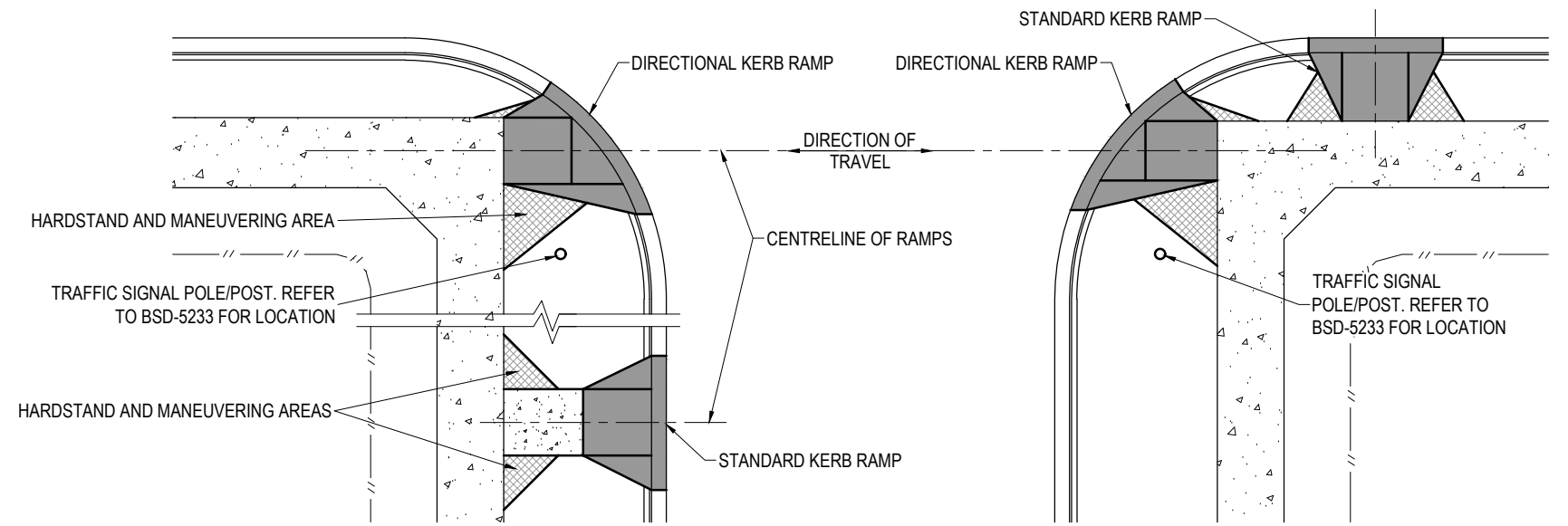


WARNING TACTILE GROUND SURFACE INDICATORS WHERE REQUIRED. REFER TO NOTES 6, 7 & 8 ON SHEET 1

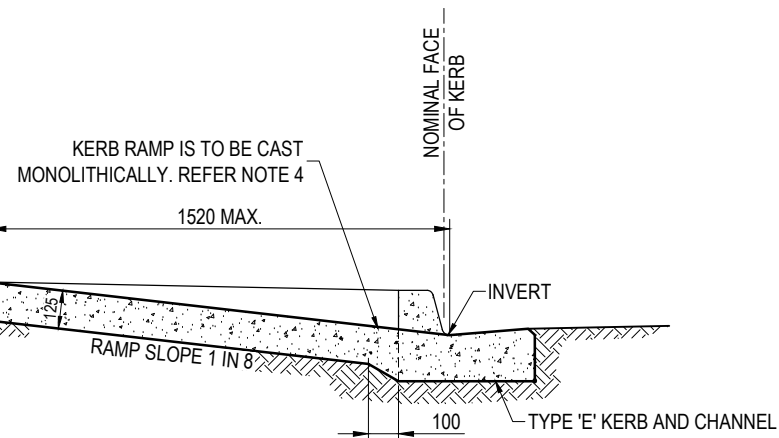


**SECTION A-A - STANDARD KERB RAMP**  
TYPE 'D' KERB & CHANNEL

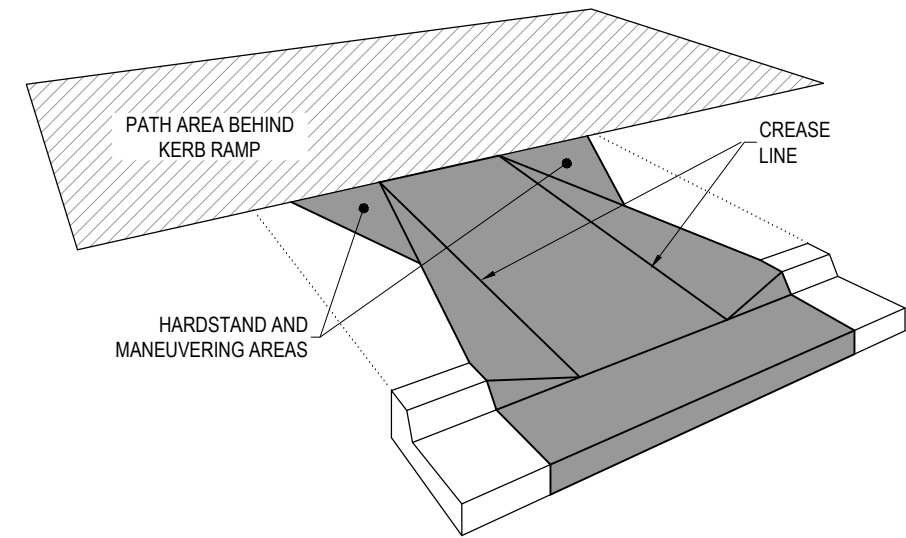


**TYPICAL LOCATIONS**

WARNING TACTILE GROUND SURFACE INDICATORS WHERE REQUIRED. REFER TO NOTES 6, 7 & 8 ON SHEET 1

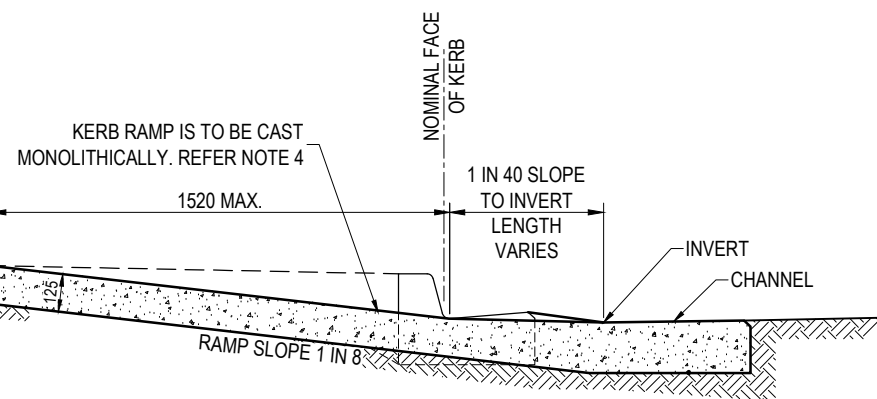


**SECTION - STANDARD KERB RAMP**  
TYPE 'E' KERB & CHANNEL



**PICTORIAL VIEW**  
(STANDARD KERB RAMP, TYPE 'E' K&C)

WARNING TACTILE GROUND SURFACE INDICATORS WHERE REQUIRED. REFER TO NOTES 6, 7 & 8 ON SHEET 1



**SECTION B-B: DIRECTIONAL KERB RAMP**  
TYPE 'E' KERB & CHANNEL

THE FITNESS FOR PURPOSE OF THIS STANDARD DRAWING FOR A SPECIFIC PROJECT SHALL BE ASSESSED AND ACCEPTED BY A SUITABLY QUALIFIED REGISTERED PROFESSIONAL ENGINEER OF QUEENSLAND (RPEQ).



BRISBANE CITY COUNCIL STANDARD DRAWING

KERB RAMP  
SECTIONS AND LAYOUTS  
SHEET 2 OF 2

PUBLISH DATE		Mar '21
SCALE		NOT TO SCALE
DRAWING NUMBER		BSD-5231
ORIGINAL SIZE	REVISION	
A3	D	