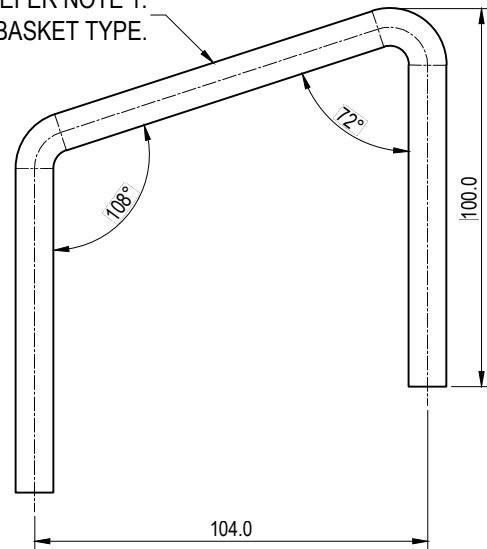
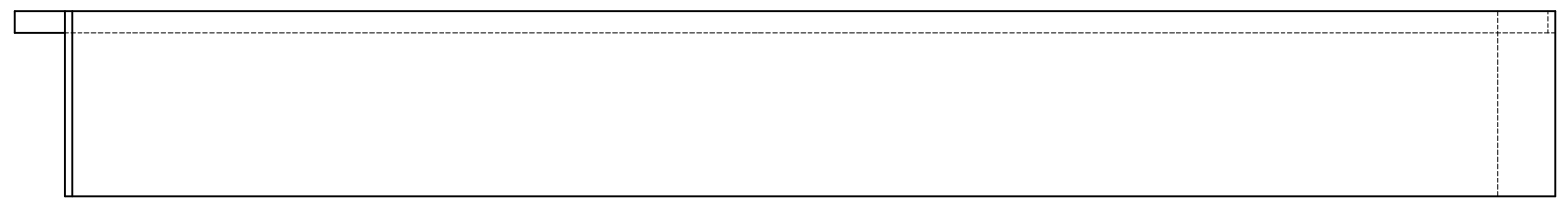


HANDLE ATTACHMENT
(INSIDE OF GULLY BASKET)

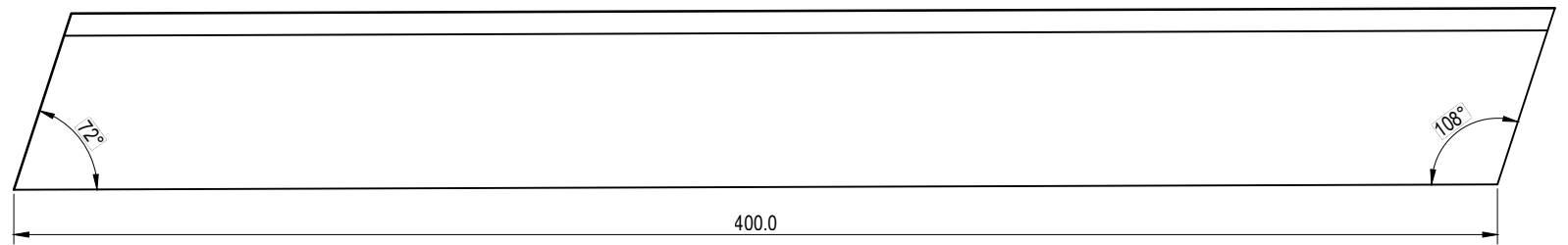
Ø10 ROUND BAR. REFER NOTE 1.
2 x REQUIRED PER BASKET TYPE.



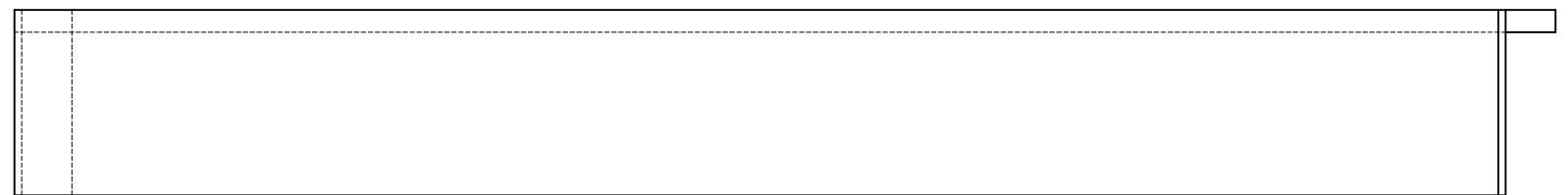
HANDLE



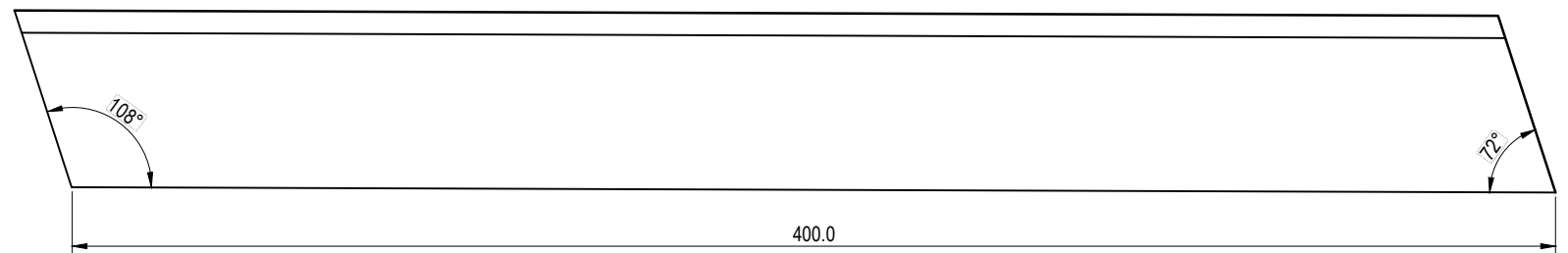
TOP VIEW



RIGHT BASKET SUPPORT BRACKET
50x6 ANGLE. REFER NOTE 1.
ELEVATION



TOP VIEW




LEFT BASKET SUPPORT BRACKET
50x6 ANGLE. REFER NOTE 1.
ELEVATION

NOTES:

1. SUPPORT BRACKET AND HANDLE MATERIAL TO MATCH BASKET MATERIAL.
2. BASKET SUPPORT BRACKETS: 50x6 ANGLE.
3. PAIR OF BASKET SUPPORT BRACKETS (ONE LEFT, ONE RIGHT) REQUIRED FOR EACH GULLY BASKET (TYPE 1 (LARGE) AND TYPE 2 (SMALL)).
4. HANDLE: Ø10 ROUND BAR.
5. HANDLE ARE SAME SIZE AND POSITION FOR TYPE 1 (LARGE) AND TYPE 2 (SMALL) GULLY BASKETS.
6. ALL WELDS TO BE 4mm CFW UNLESS NOTED OTHERWISE.
7. ALL SHARP EDGES ARE TO BE REMOVED. THIS IS TO OCCUR PRIOR TO GALVANISING FOR BASKETS FABRICATED FROM MILD STEEL.
8. ALL DIMENSIONS IN MILLIMETRES (U.N.O.).

THE FITNESS FOR PURPOSE OF THIS STANDARD DRAWING FOR A SPECIFIC PROJECT SHALL BE ASSESSED AND ACCEPTED BY A SUITABLY QUALIFIED REGISTERED PROFESSIONAL ENGINEER OF QUEENSLAND (RPEQ).

	BRISBANE CITY COUNCIL STANDARD DRAWING		PUBLISH DATE	MMM YYYY
	STEEL GULLY BASKET BASKET SUPPORT BRACKET AND HANDLE DETAILS - SHEET 5 OF 6		SCALE	NOT TO SCALE
			DRAWING NUMBER	BSD-8060
	ORIGINAL SIZE	A3	REVISION	Draft-B